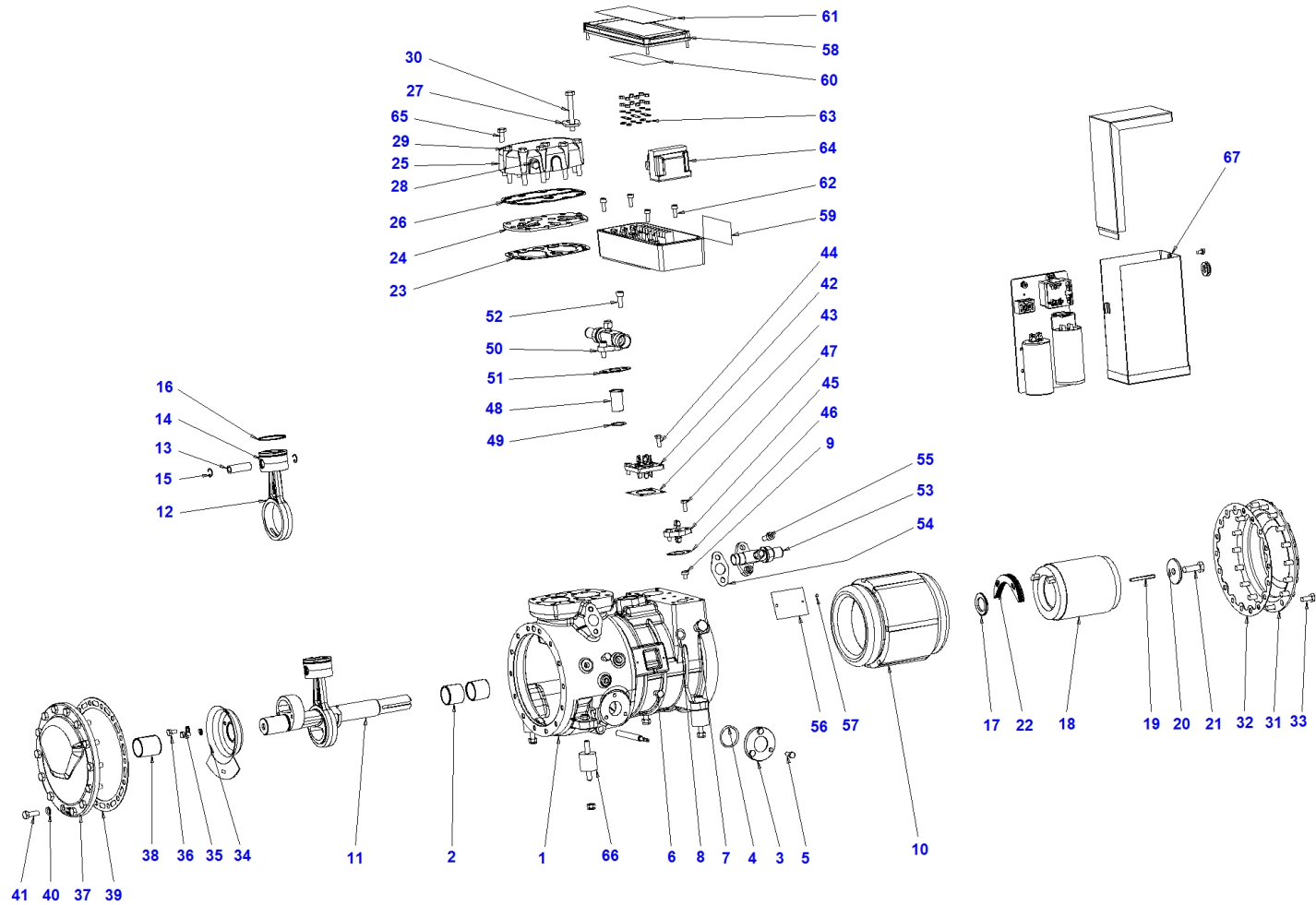


## D 2 15.1 Y



| Pos. | Code       | Description                 | Quantity | Note | Notice: |
|------|------------|-----------------------------|----------|------|---------|
| 1    | S2331001AA | Compressor body             | 1        |      |         |
| 2    | S1501013   | Main friction bearing       | 2        |      |         |
| 3    | SOS1       | Oil sight glass             | 1        |      |         |
| 4    | S3131OR    | O-ring for oil sight glass  | 1        |      |         |
| 5    | TE1006016  | Screw M6x16 UNI5739         | 3        |      |         |
| 6    | S1251130   | Plug 1/8 NPT                | 2        |      |         |
| 7    | S1451130   | Plug 1/4" gas ISO 228/1     | 1        |      |         |
| 8    | S1351056   | Gasket                      | 1        |      |         |
| 9    | TS4006008  | Screw M6x8 ISO 7045         | 1        |      |         |
| 10   | RS05AS     | Stator 230-400 / 3 / 50 DOL | 1        |      |         |
| 11   | S2451002AA | Shaft                       | 1        |      |         |
| 12   | S2441003AA | Connecting rod              | 2        |      |         |
| 13   | S4021005   | Piston pin                  | 2        |      |         |
| 14   | S4021004   | Piston                      | 2        |      |         |
| 15   | S1251149   | Circlip                     | 4        |      |         |
| 16   | S4024001   | Fosfating ring              | 2        |      |         |
| 17   | S2481011   | Thrust collar               | 1        |      |         |
| 18   | RR08S      | Rotor                       | 1        |      |         |
| 19   | S1451063   | Key 5x5x55                  | 1        |      |         |
| 20   | S2481045   | Washer                      | 1        |      |         |

| Pos. | Code        | Description                  | Quantity | Note | Notice: |
|------|-------------|------------------------------|----------|------|---------|
| 21   | TE1010030   | Screw M10x30 UNI5739         | 1        |      |         |
| 22   | S1251017    | Counterweight                | 13       |      |         |
| 23   | S2341031    | Gasket valve plate - body    | 1        |      |         |
| 24   | S2341026-HL | Valve plate                  | 1        |      |         |
| 25   | S2471007AA  | Head                         | 1        |      |         |
| 26   | S2451032    | Gasket valve plate - head    | 1        |      |         |
| 27   | V0001532    | Lifting eyebolt              | 1        |      |         |
| 28   | S1251130    | Plug 1/8 NPT                 | 1        |      |         |
| 29   | TE1208060   | Screw M8x60 UNI5737          | 6        |      |         |
| 30   | TE1208065   | Screw M8x65 UNI5737          | 1        |      |         |
| 31   | S1451010-A  | Suction flange               | 1        |      |         |
| 32   | S1251034C   | Suction flange - body gasket | 1        |      |         |
| 33   | TE1008018   | Screw M8x18 UNI5739          | 18       |      |         |
| 34   | S2351008    | Oil splashing disc           | 1        |      |         |
| 35   | RO2006011   | Washer 6x10 UNI 1751A        | 2        |      |         |
| 36   | TE1006012   | Screw M6x12 UNI5739          | 2        |      |         |
| 37   | S2481009AA  | Flange                       | 1        |      |         |
| 38   | S2481013-A  | Main friction bearing        | 1        |      |         |
| 39   | S2481033C   | Flange gasket                | 1        |      |         |
| 40   | S1451056    | Gasket                       | 1        |      |         |

| Pos. | Code         | Description                             | Quantity | Note | Notice: |
|------|--------------|---|----------|------|---------|
| 41   | TE1008022    | Screw M8x22 UNI5739                     | 14       |      |         |
| 42   | T00EC02A     | Connections plate                       | 1        |      |         |
| 43   | S1251043     | Connections plate gasket                | 1        |      |         |
| 44   | TE1006016    | Screw M6x16 UNI5739                     | 4        |      |         |
| 45   | T00EC05      | Thermistor terminal                     | 1        |      |         |
| 46   | S1251036C    | Thermistor gasket                       | 1        |      |         |
| 47   | TE1006016    | Screw M6x16 UNI5739                     | 2        |      |         |
| 48   | S2481038-A   | Suction strainer                        | 1        |      |         |
| 49   | S2481055     | Suction strainer gasket                 | 1        |      |         |
| 50   | T00VRS033041 | Valve 7/8                               | 1        |      |         |
| 51   | S2481058     | Valve gasket                            | 1        |      |         |
| 52   | TC2408020    | Screw M8x20 UNI5931                     | 2        |      |         |
| 53   | T00VRS031041 | Valve 5/8                               | 1        |      |         |
| 54   | S2481058     | Valve gasket                            | 1        |      |         |
| 55   | TC2408020    | Screw M8x20 UNI5931                     | 2        |      |         |
| 56   | ML_D         | Nameplate                               | 1        |      |         |
| 57   | RI1025035    | Rivet                                   | 2        |      |         |
| 58   | S249A039     | Terminal box                            | 1        |      |         |
| 59   | M199-00      | Cablepress holes-making adhesive scheme | 1        |      |         |
| 60   | M053-00      | Starting drawing                        | 1        |      |         |

| Pos. | Code      | Description                                    | Quantity | Note | Notice: |
|------|-----------|--|----------|------|---------|
| 61   | M066-00   | Security operation drawing                     | 1        |      |         |
| 62   | TC2006016 | Screw M6x16                                    | 4        |      |         |
| 63   | SK261100  | Staple bars kit                                | 1        |      |         |
| 64   | ECA01A    | Electronic module 220V AC                      | 1        |      |         |
| 65   | TE1208035 | Screw M8x35 UNI5737                            | 4        |      |         |
| 66   | SK205010  | Rubber vibration absorber kit                  | 1        |      |         |
|      | S402A004  | Piston kit                                     | 1        |      |         |
|      | SK0500    | Gasket kit                                     | 1        |      |         |
|      | SK100310  | Valve kit                                      | 1        |      |         |
|      | SK100330  | Valve kit                                      | 1        |      |         |
|      | SK130905  | Connecting rod/piston kit                      | 2        |      |         |
|      | SK140100  | Friction bearing kit                           | 1        |      |         |
|      | SK170100  | Oil sight glass kit                            | 1        |      |         |
|      | SK180300  | 3 ph terminal box kit                          | 1        |      |         |
|      | SK230534  | Complete electric motor - 230-400 / 3 / 50 DOL | 1        |      |         |
|      | SK24800   | Valve plate kit                                | 1        |      |         |
|      | SK260200  | 3 ph electric connections kit                  | 1        |      |         |
|      | SK260300  | 3 ph thermistor connectors kit                 | 1        |      |         |
|      | SK50100   | Lowered head kit model D                       | 1        |      |         |