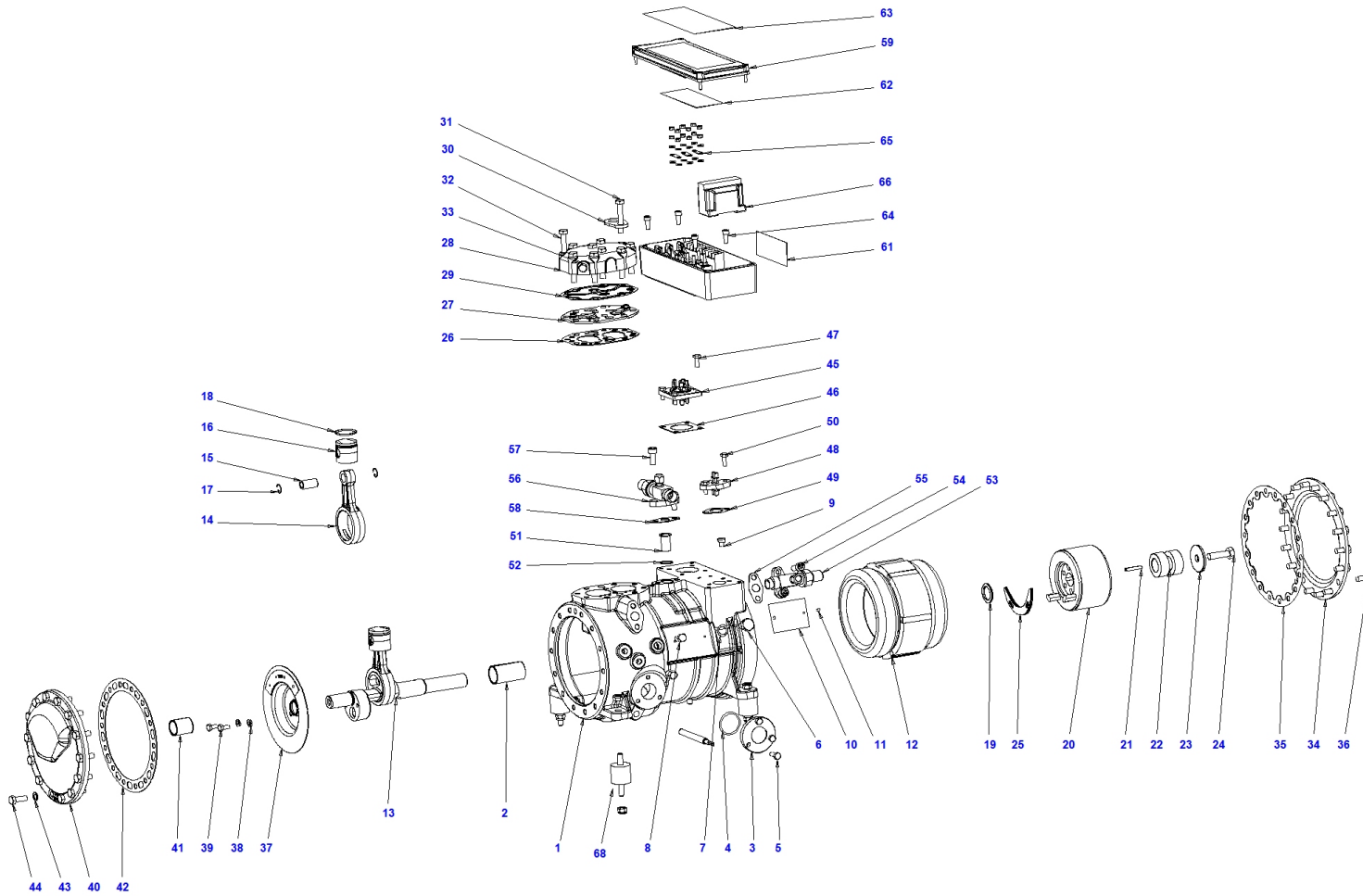


A 0.75 Y



| Pos. | Code | Description | Quantity | Note | Notice: |
|------|------------|-----------------------------|----------|------|---------|
| 1 | S1301001AA | Compressor body | 1 | | |
| 2 | S1251013-A | Main friction bearing | 1 | | |
| 3 | SOS1 | Oil sight glass | 1 | | |
| 4 | S3131OR | O-ring for oil sight glass | 1 | | |
| 5 | TE1006016 | Screw M6x16 UNI5739 | 3 | | |
| 6 | S1451130 | Plug 1/4" gas ISO 228/1 | 1 | | |
| 7 | S1351056 | Gasket | 1 | | |
| 8 | S1251130 | Plug 1/8 NPT | 2 | | |
| 9 | TS4006008 | Screw M6x8 ISO 7045 | 1 | | |
| 10 | ML_A | Nameplate | 1 | | |
| 11 | RI1025035 | Rivet | 2 | | |
| 12 | RS01A | Stator 230-400 / 3 / 50 DOL | 1 | | |
| 12 | RS02S | Stator 230-400 / 3 / 60 DOL | 1 | | |
| 13 | S1251002AA | Shaft | 1 | | |
| 14 | S1251003AA | Connecting rod | 2 | | |
| 15 | S1351005 | Piston pin | 2 | | |
| 16 | S1351004-A | Piston | 2 | | |
| 17 | S1251149 | Circlip | 4 | | |
| 18 | S1355001 | Compression ring | 2 | | |
| 19 | S1251011 | Thrust collar | 1 | | |

| Pos. | Code | Description | Quantity | Note | Notice: |
|------|------------|------------------------------|----------|------|---------|
| 20 | RR02 | Rotor | 1 | | |
| 21 | S1351063 | Key 5x5x30 UNI 6604-69 | 1 | | |
| 22 | S1251061 | Spacer for rotor | 2 | | |
| 23 | S2481045 | Washer | 1 | | |
| 24 | TE1010035 | Screw M10x35 UNI5739 | 1 | | |
| 25 | S1251017 | Counterweight | 4 | | |
| 26 | S1351031E | Gasket valve plate - body | 1 | | |
| 27 | S1251006-B | Valve plate | 1 | | |
| 28 | S1251007AA | Head | 1 | | |
| 29 | S1501032 | Gasket valve plate - head | 1 | | |
| 30 | V0001532 | Lifting eyebolt | 1 | | |
| 31 | TE1208050 | Screw M8x50 UNI5737 | 1 | | |
| 32 | TE1208045 | Screw M8x45 UNI5737 | 9 | | |
| 33 | S1251130 | Plug 1/8 NPT | 1 | | |
| 34 | S1251010-A | Suction flange | 1 | | |
| 35 | S1251034C | Suction flange - body gasket | 1 | | |
| 36 | TE1008018 | Screw M8x18 UNI5739 | 18 | | |
| 37 | S1251008 | Oil splashing disc | 1 | | |
| 38 | RO2006011 | Washer 6x10 UNI 1751A | 2 | | |
| 39 | TE1006012 | Screw M6x12 UNI5739 | 2 | | |

| Pos. | Code | Description | Quantity | Note | Notice: |
|------|--------------|--------------------------|----------|------|---------|
| 40 | S1251009AA | Flange | 1 | | |
| 41 | S1251012-A | Main friction bearing | 1 | | |
| 42 | S1251033C | Flange gasket | 1 | | |
| 43 | S1451056 | Gasket | 1 | | |
| 44 | TE1008022 | Screw M8x22 UNI5739 | 14 | | |
| 45 | T00EC02A | Connections plate | 1 | | |
| 46 | S1251043 | Connections plate gasket | 1 | | |
| 47 | TE1006016 | Screw M6x16 UNI5739 | 4 | | |
| 48 | T00EC05 | Thermistor terminal | 1 | | |
| 49 | S1251036C | Thermistor gasket | 1 | | |
| 50 | TE1006016 | Screw M6x16 UNI5739 | 2 | | |
| 51 | S1251038-A | Suction strainer | 1 | | |
| 52 | S1451055 | Suction strainer gasket | 1 | | |
| 53 | T00VRS011035 | Valve ODS 1/2' | 1 | | |
| 54 | TC2408020 | Screw M8x20 UNI5931 | 2 | | |
| 55 | S1251055D | Valve gasket | 1 | | |
| 56 | T00VRS012035 | Valve 5/8 | 1 | | |
| 57 | TC2408020 | Screw M8x20 UNI5931 | 2 | | |
| 58 | S1251055D | Valve gasket | 1 | | |
| 59 | S249A039 | Terminal box | 1 | | |

| Pos. | Code | Description | Quantity | Note | Notice: |
|------|-----------|--|----------|------|---------|
| 61 | M199-00 | Cablepress holes-making adhesive scheme | 1 | | |
| 62 | M053-00 | Starting drawing | 1 | | |
| 63 | M066-00 | Security operation drawing | 1 | | |
| 64 | TC2006016 | Screw M6x16 | 4 | | |
| 65 | SK261100 | Staple bars kit | 1 | | |
| 66 | ECA01A | Electronic module 220V AC | 1 | | |
| 68 | SK205010 | Rubber vibration absordber kit | 1 | | |
| | S135A004 | Piston kit | 1 | | |
| | SK0200 | Gasket kit | 1 | | |
| | SK100110 | Valve kit | 1 | | |
| | SK100120 | Valve kit | 1 | | |
| | SK12501 | Valve plate kit | 1 | | |
| | SK140000 | Friction bearing kit | 2 | | |
| | SK140000 | Friction bearing kit | 1 | | |
| | SK170100 | Oil sight glass kit | 1 | | |
| | SK180300 | 3 ph terminal box kit | 1 | | |
| | SK230111 | Complete electric motor - 230-400 / 3 / 50 DOL | 1 | | |
| | SK230116 | Complete electric motor - 230-400 / 3 / 60 DOL | 1 | | |
| | SK260200 | 3 ph electric connections kit | 1 | | |
| | SK260300 | 3 ph thermistor connectors kit | 1 | | |

A 0.7 5 Y

| Pos. | Code | Description | Quantity | Note | Notice: |
|------|------|-------------|----------|------|---------|
|------|------|-------------|----------|------|---------|