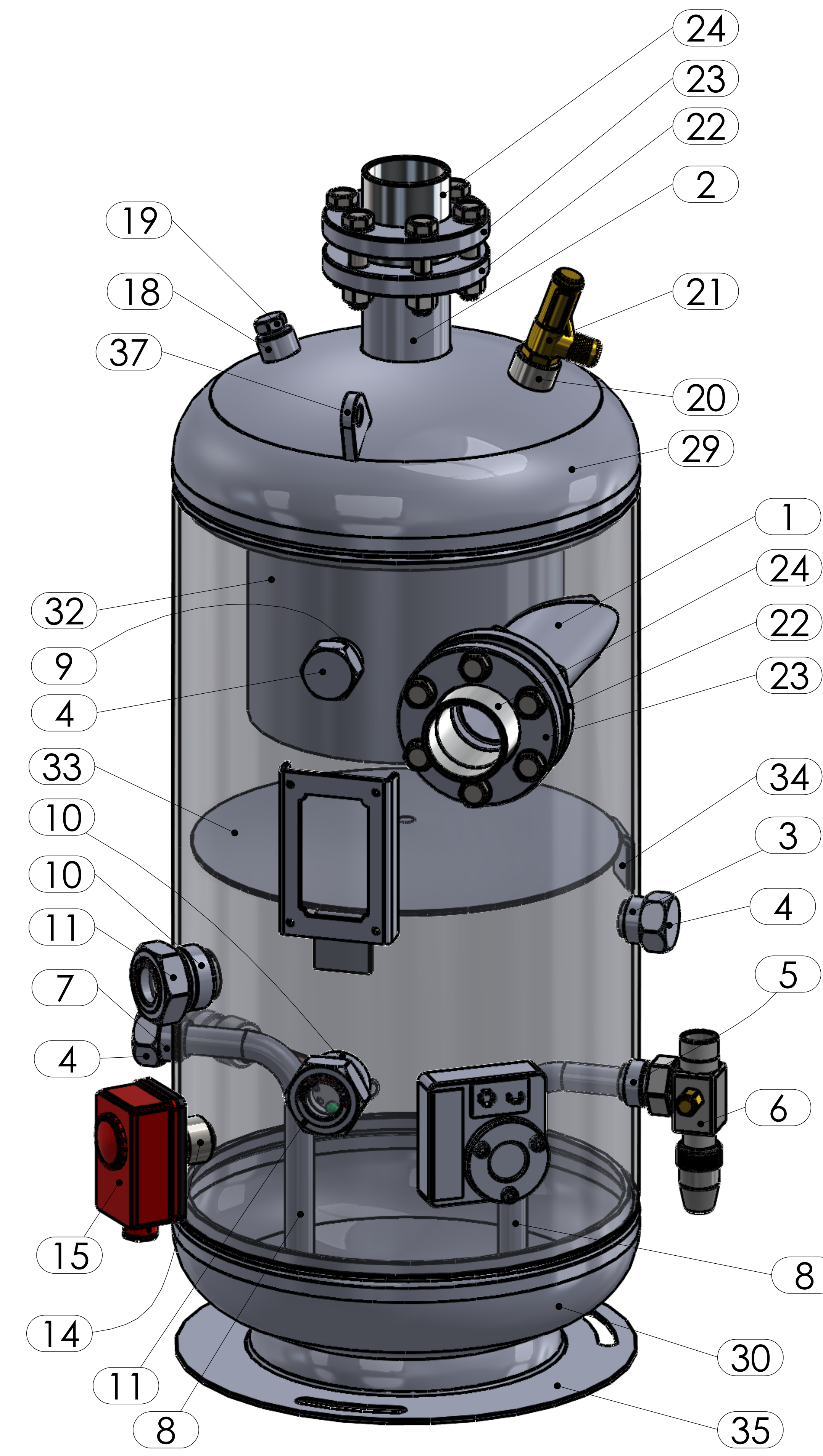
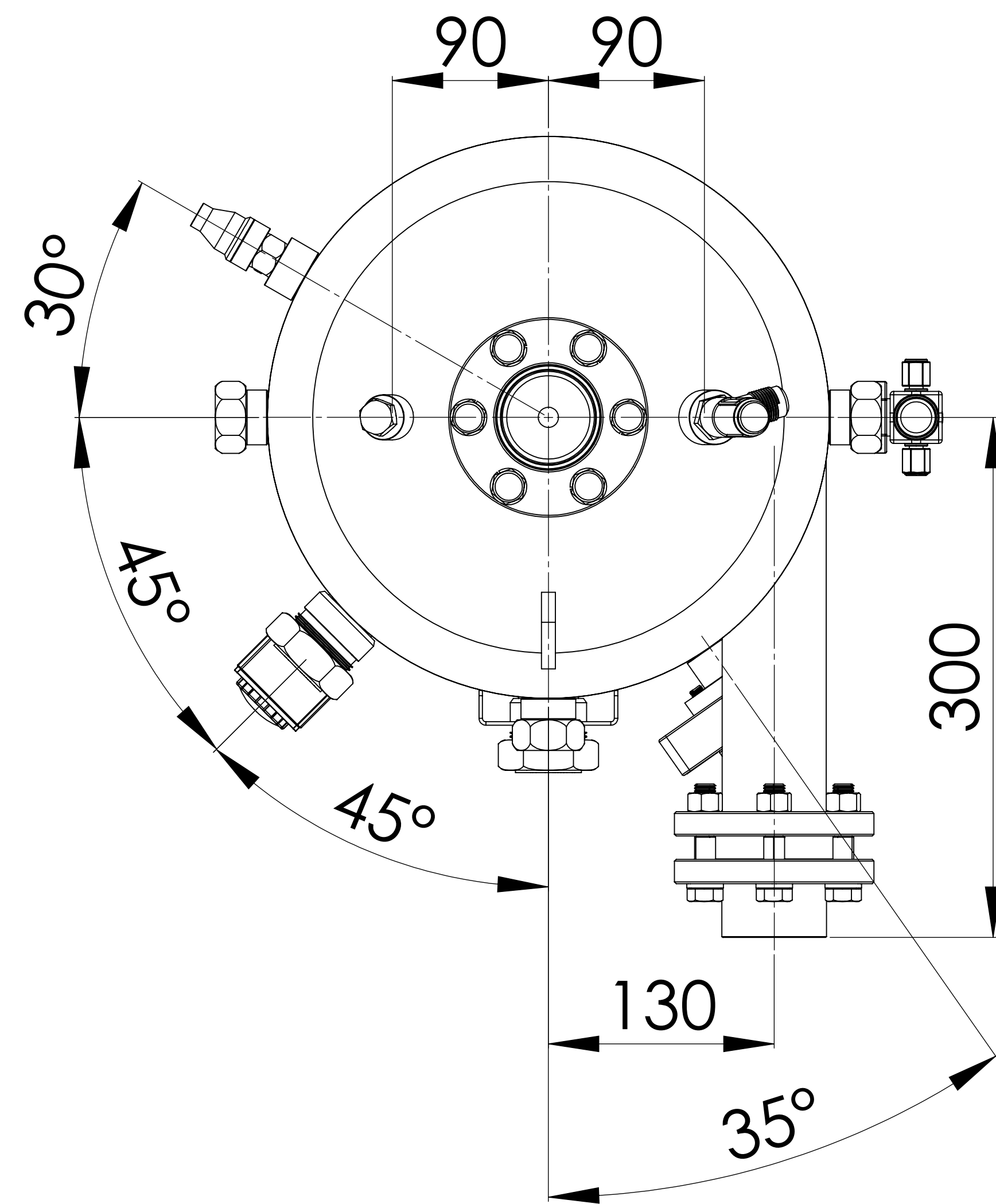
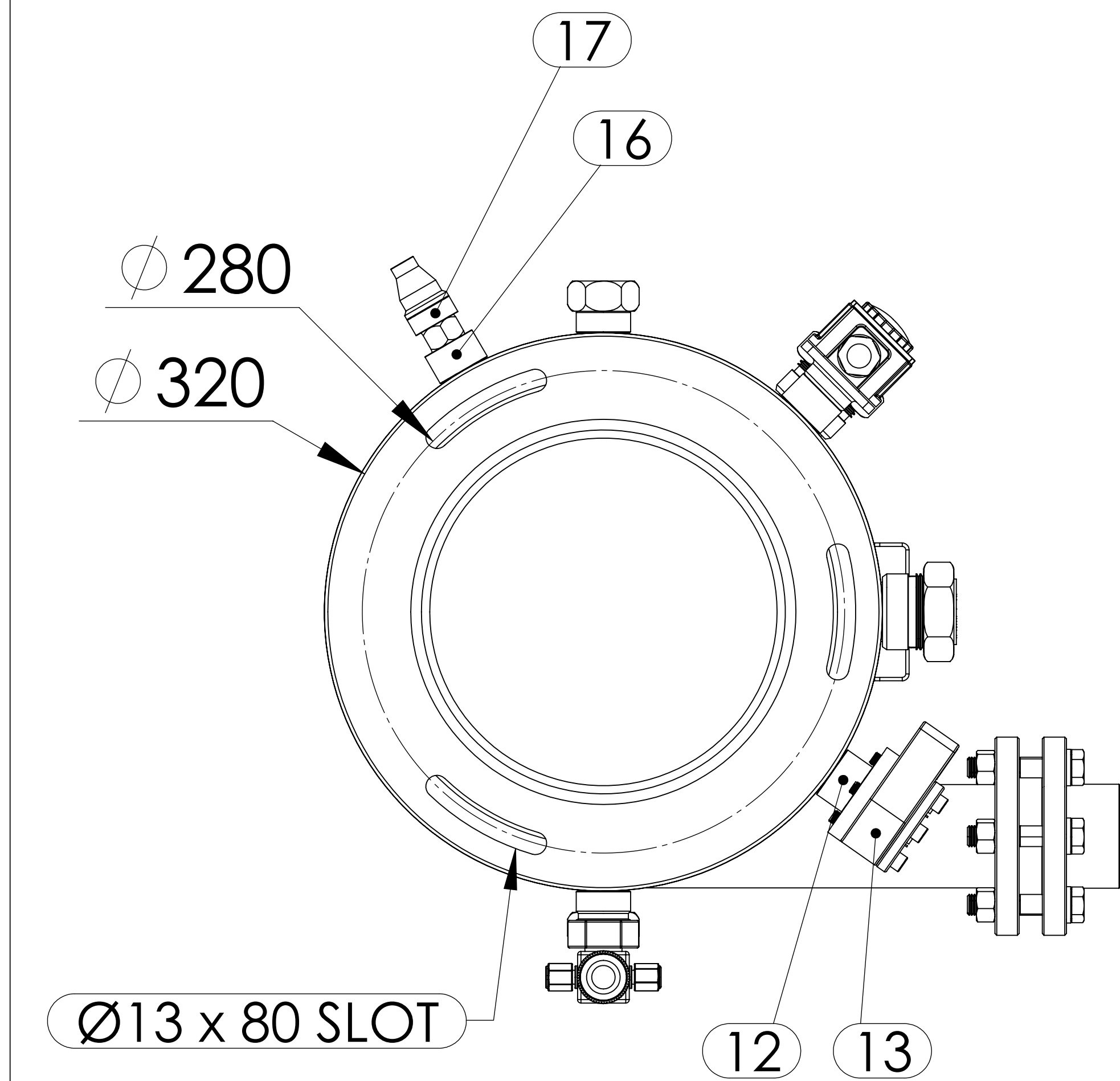
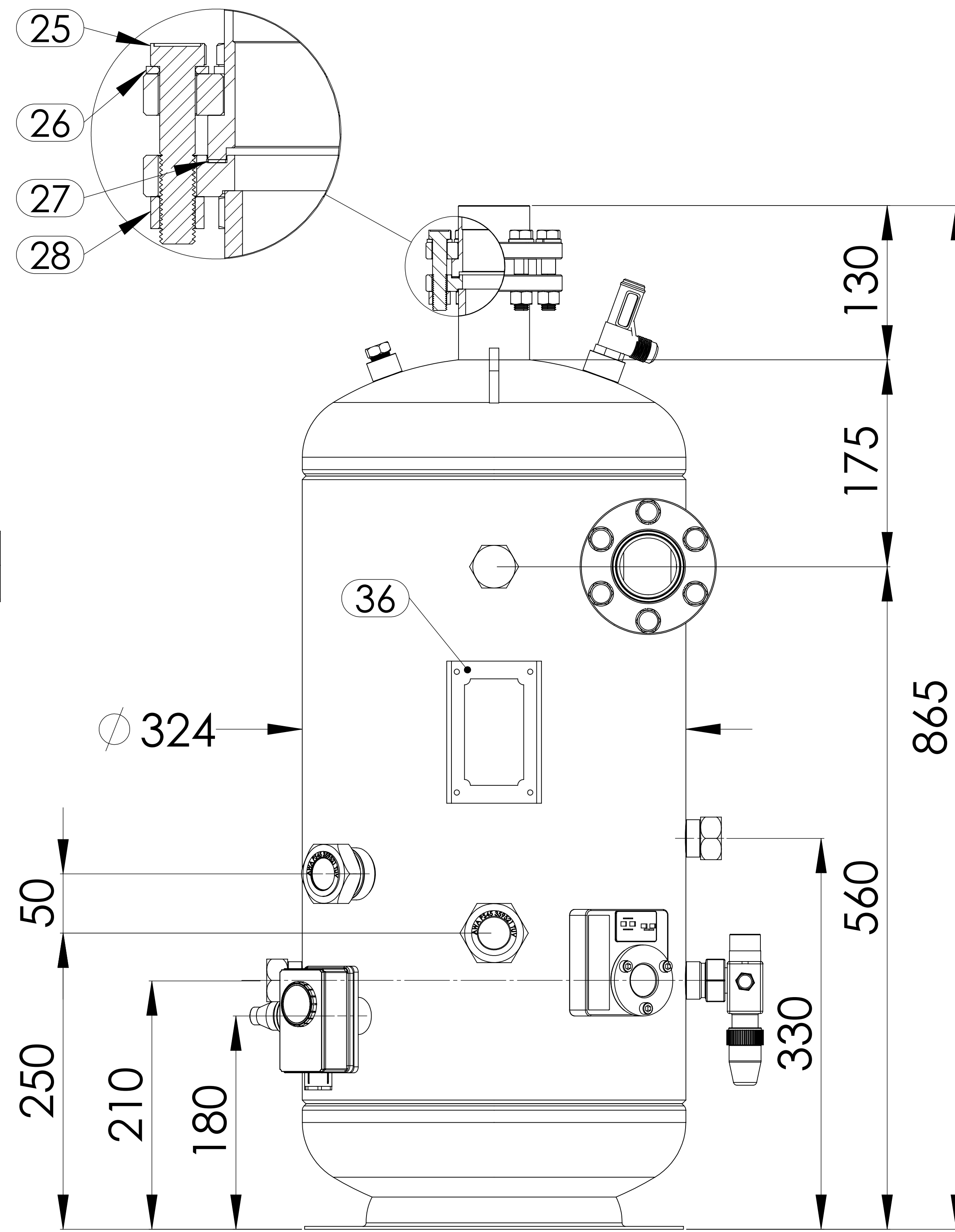
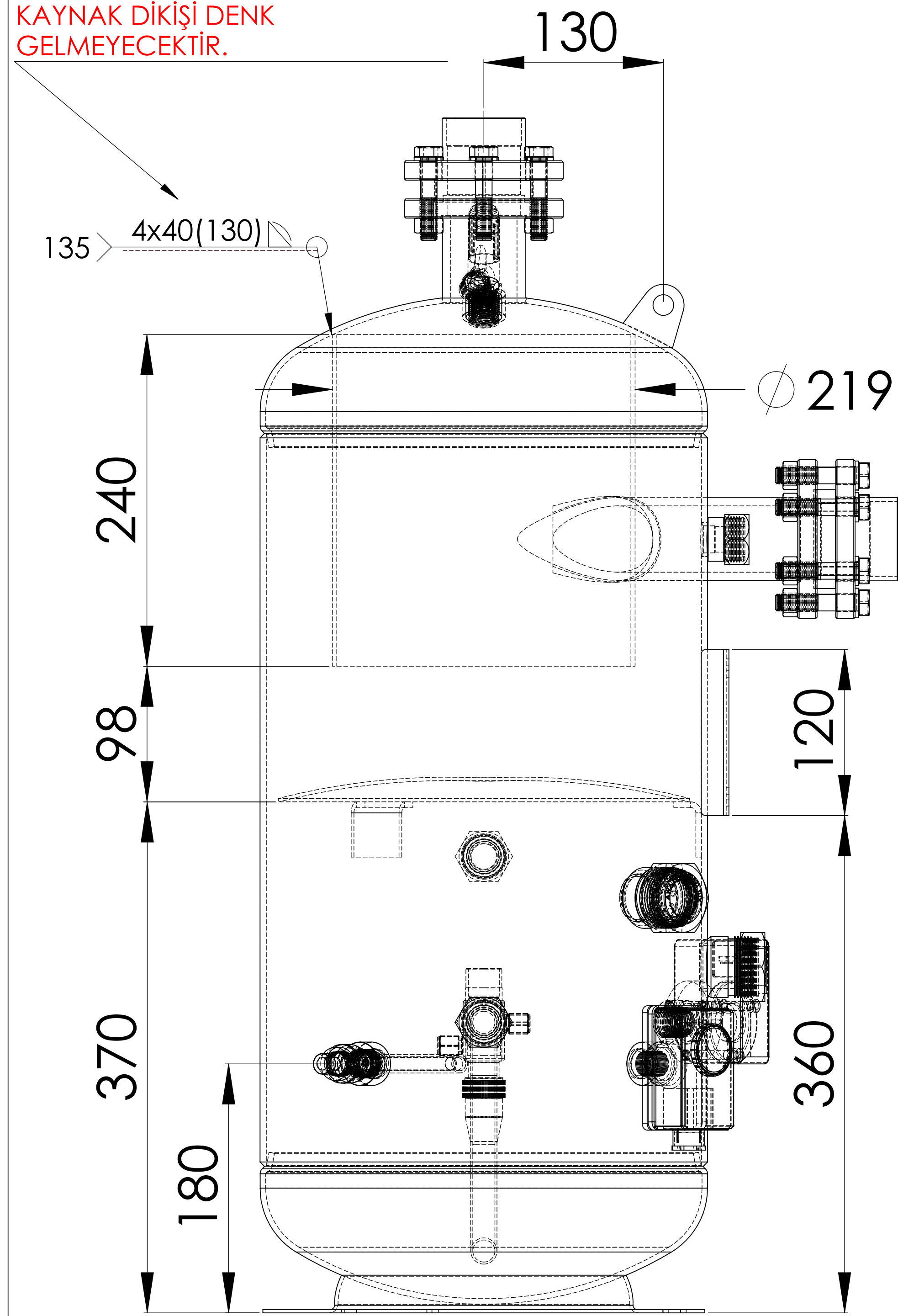


ÖNEMLİ NOT : İÇ SEPERATÖR SACI KAYNATILIRKEN DETAY'DA GÖSTERİLEN ŞEKİLDE VE ÖLÇÜDE METOT KAYNAK ATILACAKTIR. KESİNLİKLE BAĞLANTI VE MAPAYA KAYNAK DIKIŞI DENK GELMEYECEKTİR.



No	Connection	Model	Code	Material	Qty
15	Oil Thermostat	OT-01 THERMOSTAT			1
16	Oil Heater Conn.	NPT 1/2" H:18	106.060.F04.000.001	S235JR	1
17	Oil Heaters	OH-01 REZİSTANS			1
18	Service Valve Conn.	NPT 3/8"	106.060.F03.000.001	E275	1
19	Blind Plug	NPT 3/8"Plug	106.130.F03.001.001	S235JR	1
20	Safety Valve Conn.	NPT 1/2" H:18	106.060.F04.000.001	E275-ST44	1
21	Safety Valve	G5	40095-K4N4-0-300		1
22	Bottom Flange	Ø115X14	107.033.OSD.054.001	P355GH+N	2
23	Top Flange	Ø115X14	107.033.OSD.054.002	P355GH+N	2
24	FC-54 ODS	ODS 2 1/8" H:60	107.033.OSD.054.003	P355GH+N	2
25	Bolt	M12x60	109.120.060.088.C01	8.8	12
26	Washer	M12	109.120.000.000.R01		12
27	Gasket	KLINGERIT	108.071.059.000.K01	GP-150	2
28	Nut	M12	DIN934 M12		12
29	Head - Torispheric	Ø323,9x4 H:98	201.033.324.001.015	P355GH EN 10028-2	1
30	Head - Torispheric	Ø324x4 H:100	101.033.324.001.000	P355GH EN 10028-2	1
31	Shell	Ø324x4,5 H:530	204.OSD.33B.180.001	P355NH	1
32	Oil Separator Pipe	Ø219x3 H:240,0	104.033.219.OSD.001	P355NH	1
33	Oil Separator Plate	Ø302x2,5 H:42	105.OSD.180.001.001	DD-13	1
34	Lifting Lug	40x20x4	105.012.040.040.001	S235	3
35	Skirt With	Ø320x2,5 H:27	105.004.320.001.001	EN 10111 DD-13	1
36	Label Plate	120x80x2	105.006.002.120.080	DD-13	1
37	Lifting	40x40x8	105.011.MP0.040.040	S235-JR	1

GÜVEN SOĞUTMA
ÜNİTELERİ SAN. VE TİC. A.Ş.
 Add.: Hastane Mah. Hadimköy İstanbul Cd. No:78/1
 34555, Arnavutköy, İstanbul, TURKEY
 Tel: +90 212 771 51 12 - 771 51 13
 Fax: +90 212 771 51 10
 www.gvn.com.tr



GVN STANDART PRODUCT	Customer
OIL SEPARATORS FOR SCREW COMPRESSORS	Product
OS.D.33b.180.E1.1HT1.G5	Code
	Customer Code

DESIGN DATA	
Capacity [Lt.]	Oil V.:19 Lt./Total V.:50 Lt.
Design Pressure [PS]	33 Bar
Pneumatic Test Pressure [PT]	36 Bar
Hydraulic Test Pressure	48 Bar
Design Temperature [TS]	Min.-20C / Max.+130C
Cooler Fluid Type	HFC-CFC-HCFC
Fluid Group	2
Category	CAT III / H
Desing Calculation	EN 14276-1/EN 13445-3
Welded Joint Efficiency	0.85
Material Group (Shell / Head)	1.2
Testing Group	3b
Corrasion Allowance	0,5 mm
Ndt	10%
Packaging Size & Weight	00*00*00 & 00 Kg.
Drawed By	M.ABDULAZİZ
Approved By	D.GÜL
Date	19.07.2023
Color	RAL 5009

MATERIAL DATA					
No	Connection	Model	Code	Material	Qty
1	Inlet Pipe	Ø60x6 H:205,0	104.180.060.OSD.002		1
2	Outlet Pipe	Ø60x6 H:63,0	104.180.060.OSD.001		1
3	Oil Inlet Connection	ROT. 1 1/4" H:27	106.060.A03.001.001	E275	1
4	Blind Plug	ROT. 1 1/4"	106.060.A03.001.002	S235	3
5	Oil Outlet Connection	ROT. 1 1/4" H:27	106.060.A03.001.001	E275	1
6	Outlet Valve	RV.45b 7/8			1
7	Parallel Comp. Out Conn.	ROT. 1 1/4" H:27	106.060.A03.001.001	E275	1
8	Outlet Pipe	Ø19x1,5	204.A19.015.000.210	EN 10297-1 E235	2
9	Service Valve Conn.	ROT. 1 1/4" H:27	106.060.A03.001.001	E275	1
10	Sight Glass Connection	SGC 1 3/4" H:32	106.OSG.134.001.001	P235GH	2
11	Sight Glass	SGC134	02 05 0005		2
12	Level Sensor Conn.	NPT 1/2" H:18	106.060.F04.000.001	S235JR	1
13	Oil Level Sensor	COML-230 -II	COML-230		1
14	Thermostat Conn.	NPT 1/2" H:18	106.060.F04.000.001	S235JR	1

GENERAL NOTES

-Max. allowable operating pressure (PS) according to the temperature range;
 1)Allowable operating temperature : min. -20C° / max. +130C° PS1 = 33 Bar
 2)Allowable operating temperature : min. -40C° / max. -20C° PS2 = 24 Bar
 -Unless otherwise specified dimensions in MM
 -Unless otherwise specified do not scale
 -Unless otherwise specified tube must be clean&free form burrs inside&outside&uitable for soldering
 -Unless otherwise specified do not scale indicated thickness are min. after forming or machining
 -Unless otherwise specified dimension tolerances according to EN 113445-4

REVISIONS			
No	Details Of Change	Date	By
01			
02			
03			

RELATED DRAWINGS		
No	Description	Drawing No
01		
02		



We reserve all rights in this document and in the information contained therein. Reproduction use or disclosure to third parties without express authority is strictly forbidden.