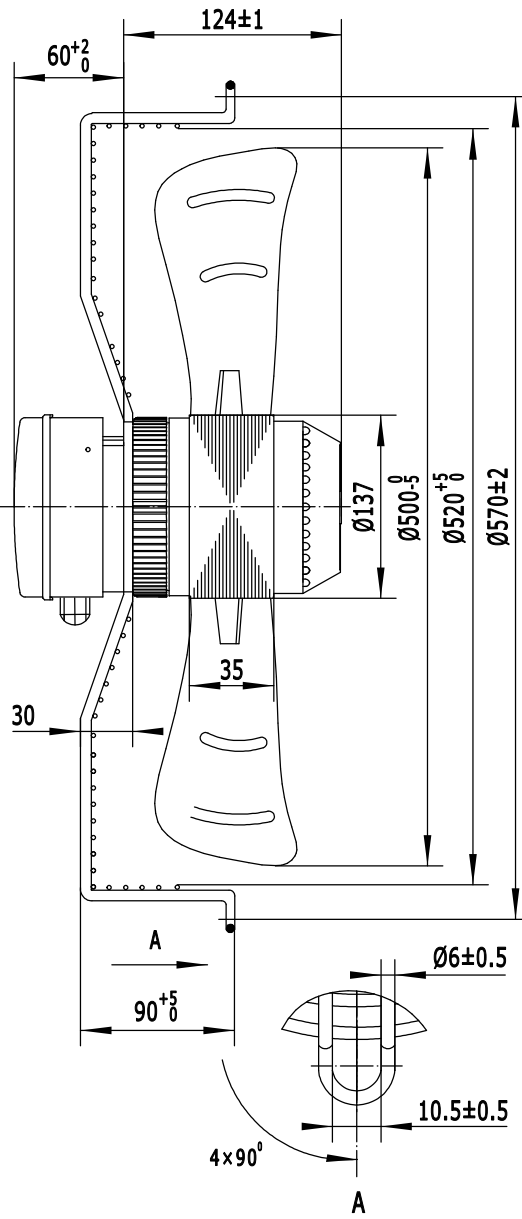
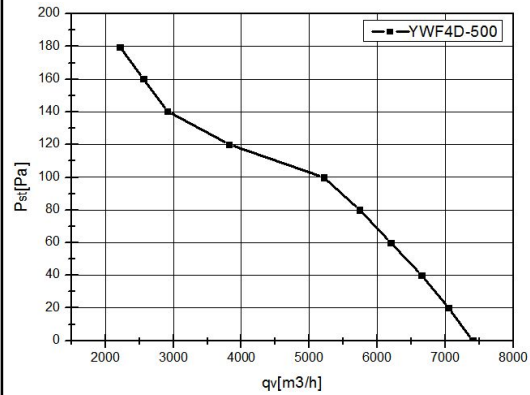


DRAWING NO

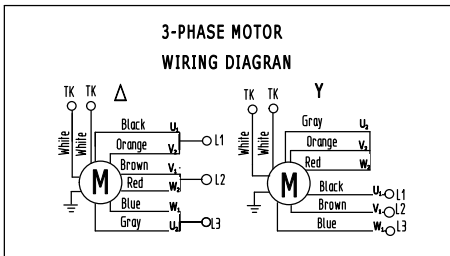
FAN CURVE:



LABEL:

**WEIGUANG** Axial Fan Motor  
**YWF4D-500S-137/35-G**  
 Δ 380V 50Hz 0.80A 200/405W 1300r/min  
 Y 380V 50Hz 0.46A 120/265W 970r/min  
 CL.B IP54 XX/XX

Wiring diagrams:



AXIAL fan motor

HANGZHOU WEIGUANG ELECTRONIC CO.,LTD

Unit: axial fan motor

Type:

Motor: Three phases motor

Customer:

Motor type: YWF4D-500S-137/35-G

Customer-type:

TYPE	Voltage v	Frequency Hz	Input power W	Current A	Speed r/min +/-5%	Air volume m³/h	noise level dBA	capacitor μ F/ VDB
YWF4D-500S-137/35-G	Δ 380	50	405	0.80	1300	-	71	/
	Y 380	50	265	0.46	970	-	68	/

Insulation class : B

Operating type: S<sub>1</sub>

Permissible ambient temperature : -30~60℃

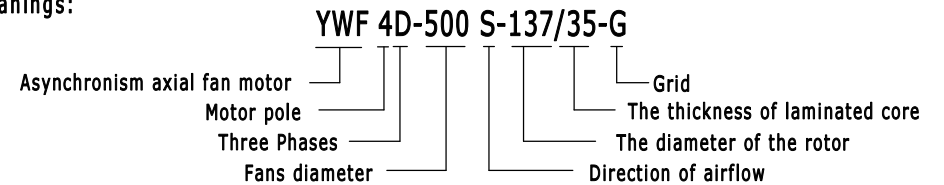
Temperature increase: ΔT≤75k

Motor protection:thermocontact 135±5℃

Bearings: ball bearings

License: CE CCC

Model meanings:



Electrical connection:lead wire Silikon 9G 0.75mm<sup>2</sup> , Length 100mm in terminal box connected

Direction of rotation: clockwise(sucking), Airflow direction:"S" looking at rotor side

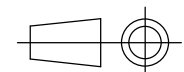
APPROX. WEIGHT

MEANS

REV.	DESCRIPTION	APPROVED	DATE	DECIMAL	TOLERANCE	SIGN	DATE
				X	±0.5	DRN. BY	
				X.X	±0.25	CHD. BY	
				X.XX	±0.15	ENG. BY	
				ANGLE	±3°	APP. BY	

TITLE  
**YWF4D-500S-137/35-G**

PROJECTION



A4  
 SCALE  
 SHEET: of