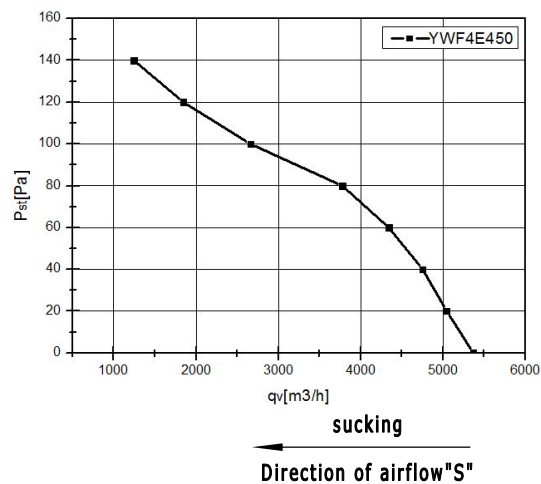


DRAWING NO

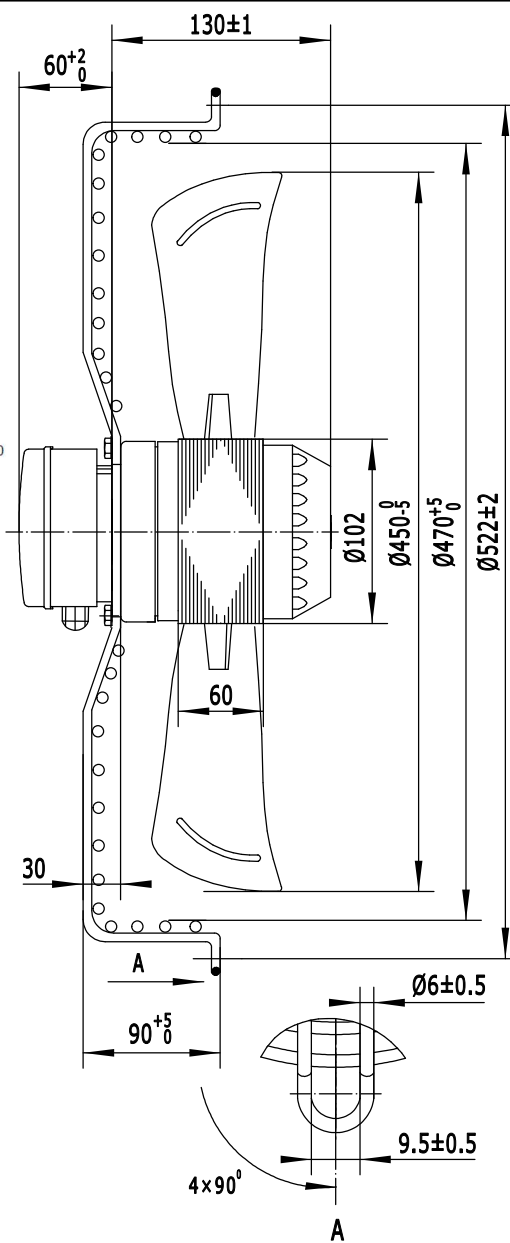
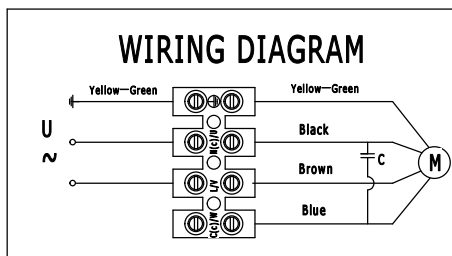
## FAN CURVE:



## LABEL:

**WEIGUANG** Axial Fan Motor  
**YWF4E-450S-102/60-G**  
 220V 50Hz 1.15A 155/250W 1350r/min  
 8 μ F/450V CL.B IP54 XX/XX **CE**

## Wiring diagrams:



# WEIGUANG<sup>®</sup> Axial fan motor

HANGZHOU WEIGUANG ELECTRONIC CO.,LTD

Unit: axial fan motor

Type:

Motor: single phase motor with capacitor

Customer:

Motor type:YWF4E-450S-102/60-G

Customer-type:

TYPE	Voltage v	Frequency Hz	Input power W	Current A	Speed r/min +/-5%	Air volume m³/h	noise level dBA	capacitor μ F/ VDB
YWF4E-450S-102/60-G	220	50	250	1.15	1350	5050(20Pa)	69	8 μ F/450V

Insulation class : B

Operating type: S<sub>1</sub>

Permissible ambient temperature : -30~60℃

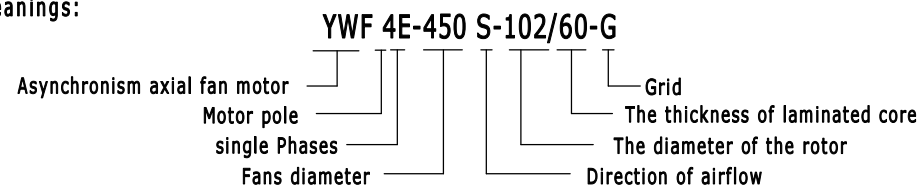
Temperature increase: ΔT≤75k

Motor protection:thermocontact 135±5℃

Bearings: ball bearings

License: CE CCC

Model meanings:

Electrical connection:lead wire Silikon 4G 0.50mm<sup>2</sup>, Length 100mm in terminal box connected

Direction of rotation: clockwise(sucking), Airflow direction:"S" looking at rotor side

APPROX. WEIGHT

MEANS

DECIMAL

TOLERANCE

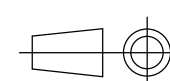
SIGN

DATE

TITLE

YWF4E-450S-102/60-G

PROJECTION



A4

SCALE

SHEET: of

REV.

DESCRIPTION

APPROVED

DATE

ANGLE

±3°

APP. BY