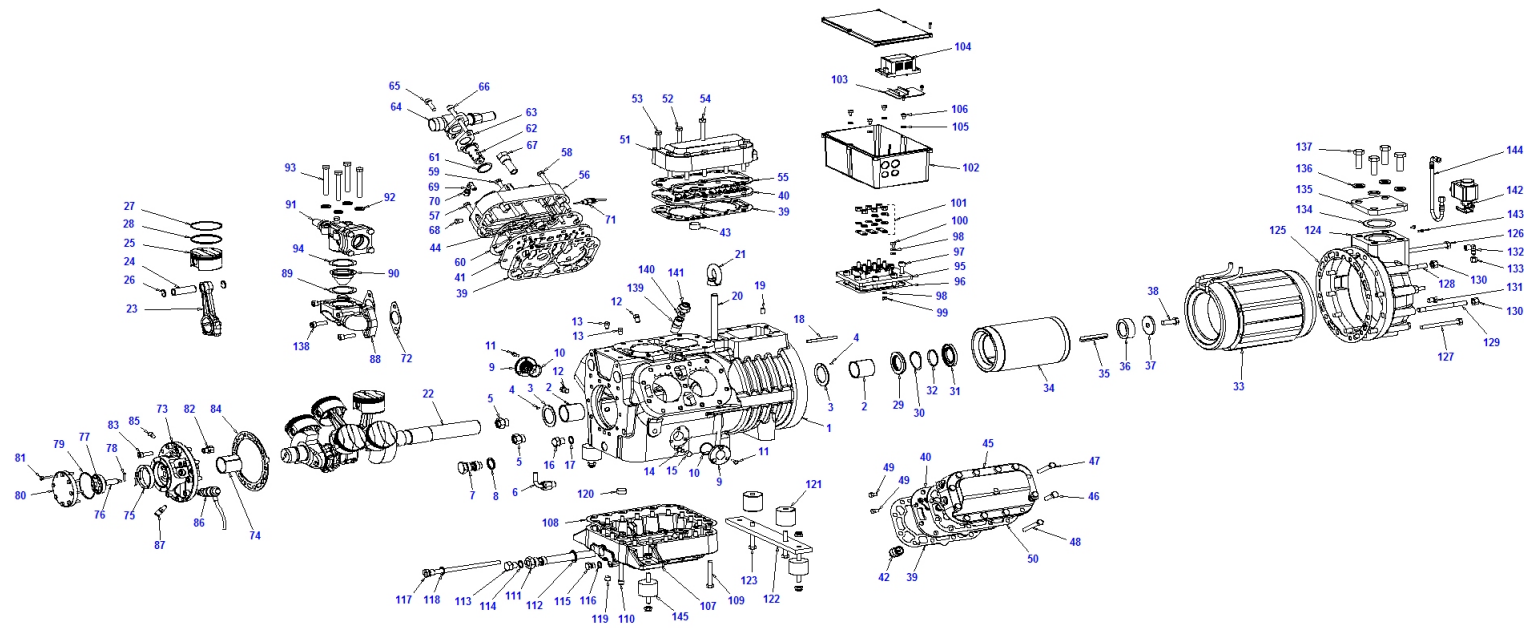


2Z 15 60 30 Y



Pos.	Code	Description	Quantity	Note	Notice:
1	S6331001AA	Compressor body	1		
2	S6501013-A	Main friction bearing	2		
3	S6501011	Thrust collar	2		
4	SE1004008	Pin	2		
5	S650A076	Pressure regulatng valve	2		
6	S860A070	Oil return valve	1		
7	S6501052AA	Compression connectin for oil filter	1		
8	S8701056	3/4 gas gasket	1		
9	SOS1	Oil sight glass	2		
10	S3131OR	O-ring for oil sight glass	2		
11	TE1006016	Screw M6x16 UNI5739	6		
12	S6501130	Plug 1/4 NPT	2		
13	S1251130	Plug 1/8 NPT	2		
14	RA3501414	Connection 1/4" NPT - 1/4" SAE	1		
15	TA3500014	Brass plug 1/4" SAE	1		
16	S8601130	Plug 3/8 gas ISO 228/1	1		
17	S6501056	3/8 gas gasket	1		
18	S6301063	Key 8x5x90 UNI 7510	1		
19	GR101016	Stop dowel	1		
20	RM1016160	Screw	1		

Pos.	Code	Description	Quantity	Note	Notice:
21	GO2016000	Raising ring	1		
22	S6501002AA	Shaft	1		
23	S6501003AA	Connecting rod	1		
24	S6301005	Piston pin	1		
25	S6301004-A	Piston	1		
26	S6301149	Circlip	2		
27	S4496001	Oil scraper ring	1		
28	S4495001	Compression ring	1		
29	S6501078	Shaft thrust bearing	1		
30	ANLMKAS62	Spring	1		
31	S6501120	Thrust collar	1		
32	S3175OR	OR3175	1		
33	RS12CAMS	Stator 400 / 3 / 50 PWS	1		
34	RR14	Rotor	1		
35	S4231063	Key 12x8x35 UNI 6604-69	1		
36	S4001061	Spacer for rotor	4		
37	S4501045	Washer	1		
38	TE1012035	Screw M12x35 UNI5739	1		
39	S6301031C	Gasket valve plate - body	3		
40	S6321026DS1	1st stage valve plate	2		

Pos.	Code	Description	Quantity	Note	Notice:
41	S6301026DS2	2nd stage valve plate	1		
42	S6401156	Safety relief valve	1		
43	TA1534000	Plug 3/4" NPT	1		
44	S4491156	Safety relief valve	1		
45	S6551007DS1	1st stage head	1		
46	TE1210045	Screw M10x45 UNI5737	4		
47	TE1210075	Screw M10x75 UNI5737	8		
48	TE1210090	Screw M10x90 UNI5737	1		
49	S1251130	Plug 1/8 NPT	2		
50	S6551032	Gasket valve plate - head	1		
51	S6571007DS1	1st stage head	1		
52	TE1210045	Screw M10x45 UNI5737	4		
53	TE1210075	Screw M10x75 UNI5737	8		
54	TE1210090	Screw M10x90 UNI5737	1		
55	S6551032	Gasket valve plate - head	1		
56	S6551007DS2	2nd stage head	1		
57	TE1210045	Screw M10x45 UNI5737	4		
58	TE1210075	Screw M10x75 UNI5737	7		
59	TE1210090	Screw M10x90 UNI5737	1		
60	S8701032	Gasket valve plate - head	1		

Pos.	Code	Description	Quantity	Note	Notice:
61	S3601055B	Filter valve gasket	1		
62	S6501065A	Pulsations reducer	1		
63	S4751055	Valve gasket	1		
64	T00VRS060066	Valve 1' 3/8	1		
65	TC2410030	Screw M10x30 UNI5931	1		
66	TC2210110	Screw M10x110 UNI5931	1		
67	S4951352	thermostatic bulb pocket	1		
68	S1251130	Plug 1/8 NPT	1		
69	RA1001010	Connection 90° 1/8 NPT - 1/4 SAE	1		
70	TA3500014	Brass plug 1/4" SAE	1		
71	EC50	Temperatur sensor	1		
72	S4501058D	Valve gasket	2		
73	S4951009AA	Flange	1		
74	S6501012-A	Friction bearing flange side	1		
75	S6301069	Oil pump eccentric	1		
76	S6501049	Oil pump stud	1		
77	S4951125	Oil pump gear	1		
78	S4951134	Oil pump spring	2		
79	S3300OR	O-ring for oil pump cover	1		
80	S6301067AA	Oil pump cover	1		

Pos.	Code	Description	Quantity	Note	Notice:
81	TE1006020	Screw M6x20 UNI5739	8		
82	S4951044	Oil pump safety valve	1		
83	TC2410030	Screw M10x30 UNI5931	10		
84	S6501033C	Flange gasket	1		
85	S1251130	Plug 1/8 NPT	1		
86	EC1620RIC	Oil pressostat	1		
87	RA5201010	Plag+schrader 1/8 "NPT-1/4" SAE	1		
88	S6501060AA	Discharge collector	1		
89	S4501055B	Valve gasket	1		
90	S6301038-A	Suction strainer	1		
91	VGS070063	Valve	1		
92	RO1012024	Washer M12x24 UNI 6592	4		
93	TE1212085	Screw M12x85 UNI5737	4		
94	S4501055B	Valve gasket	1		
95	S8601040	Terminal plate	1		
96	S4501043C	Connections plate gasket	1		
97	TC2710025	Screw M10x25 UNI5931	8		
98	RO1106012	Washer 6.4x12x1.6 UNI 6592	8		
99	DE2206006	Nut M6X1X6 DIN 980	6		
100	TS4006008	Screw M6x8 ISO 7045	1		

Pos.	Code	Description	Quantity	Note	Notice:
101	SK261310	Staple bars connection kit - V/Z/W NEW	1		
102	S855A039	Terminal box	1		
103	S8671043	Metal support	1		
104	EC2252	electronic controller motor cooling module	1		
105	RO2006011	Washer 6x10 UNI 1751A	4		
106	TS4006010	Screw M6x10 ISO 7045	4		
107	S8701014AA	Bottom plate	1		
108	S8601015	Gasket for bottom plate	1		
109	TE1210075	Screw M10x75 UNI5737	17		
110	TC2210075	Screw M10x75 UNI5931	3		
111	S4501047-A	Oil strainer	1		
112	S8701056	3/4 gas gasket	1		
113	S8601130	Plug 3/8 gas ISO 228/1	1		
114	S6501056	3/8 gas gasket	1		
115	S1451130	Plug 1/4" gas ISO 228/1	1		
116	S1351056	Gasket	1		
117	S4601351	Sleeve for Crankase Heater	1		
118	S6501056	3/8 gas gasket	1		
119	TA1514000	Plug 1/4" NPT	1		
120	W3501128	Magnet	1		

Pos.	Code	Description	Quantity	Note	Notice:
121	S4301085	Support	2		
122	S4501018AA	Thrusting plate	1		
123	TE1210075	Screw M10x75 UNI5737	2		
124	S6301010AA	Suction flange	1		
125	S6501034C	Suction flange - body gasket	1		
126	TE1212140	Screw M12x140 UNI5737	2		
127	TE1212110	Screw M12x110 UNI5737	6		
128	S6301153	Screw M12 L=105	2		
129	S6801153	Screw M12 L=125	2		
130	DE1112012	Nut M12x1,75x12 UNI 5587	4		
131	S6501130	Plug 1/4 NPT	1		
132	RA1001000	Connection 90° 1/4 NPT - 1/4 SAE	1		
133	TA3500014	Brass plug 1/4" SAE	1		
134	S6301055B	Valve gasket	1		
135	V0001867	Blind flange	1		
136	RO1016030	Washer M16x30 UNI 6592	4		
137	TE1016045	Screw M16x45 UNI5739	4		
138	TC2410035	Screw M10x35 UNI5931	4		
139	RA3501258	Connection 1/2 NPT	1		
140	RA5403000	Copper nipple	1		

Pos.	Code	Description	Quantity	Note	Notice:
141	G1800F0516	Filler 1/4 SAE	1		
142	EC1285	Solenoid valve+ coil 1/4 "SAE	1		
143	TS4004010	Screw M4x10 UNI 7687	2		
144	V0001912	Tube for solenoid valve	1		
145	SK205060	Rubber vibration absordber kit	1		
	S630A004	Piston kit	1		
	SK100660	Valve kit	1		
	SK103700	Valve kit	1		
	SK132400	Connecting rod/piston kit	6		
	SK140400	Friction bearing kit	1		
	SK170100	Oil sight glass kit	2		
	SK190100	Oil strainer kit	1		
	SK210000	Oil pump kit	1		
	SK231513	Complete electric motor - 400 / 3 / 50 PWS	1		
	SK2340	Gasket kit	1		
	SK261040	Electric connections kit	1		
	SK63015	1st stage valve plate kit	2		
	SK63016	2nd stage valve plate kit	1		
	SK890000	Kit thrust collar and spring V - Z	1		