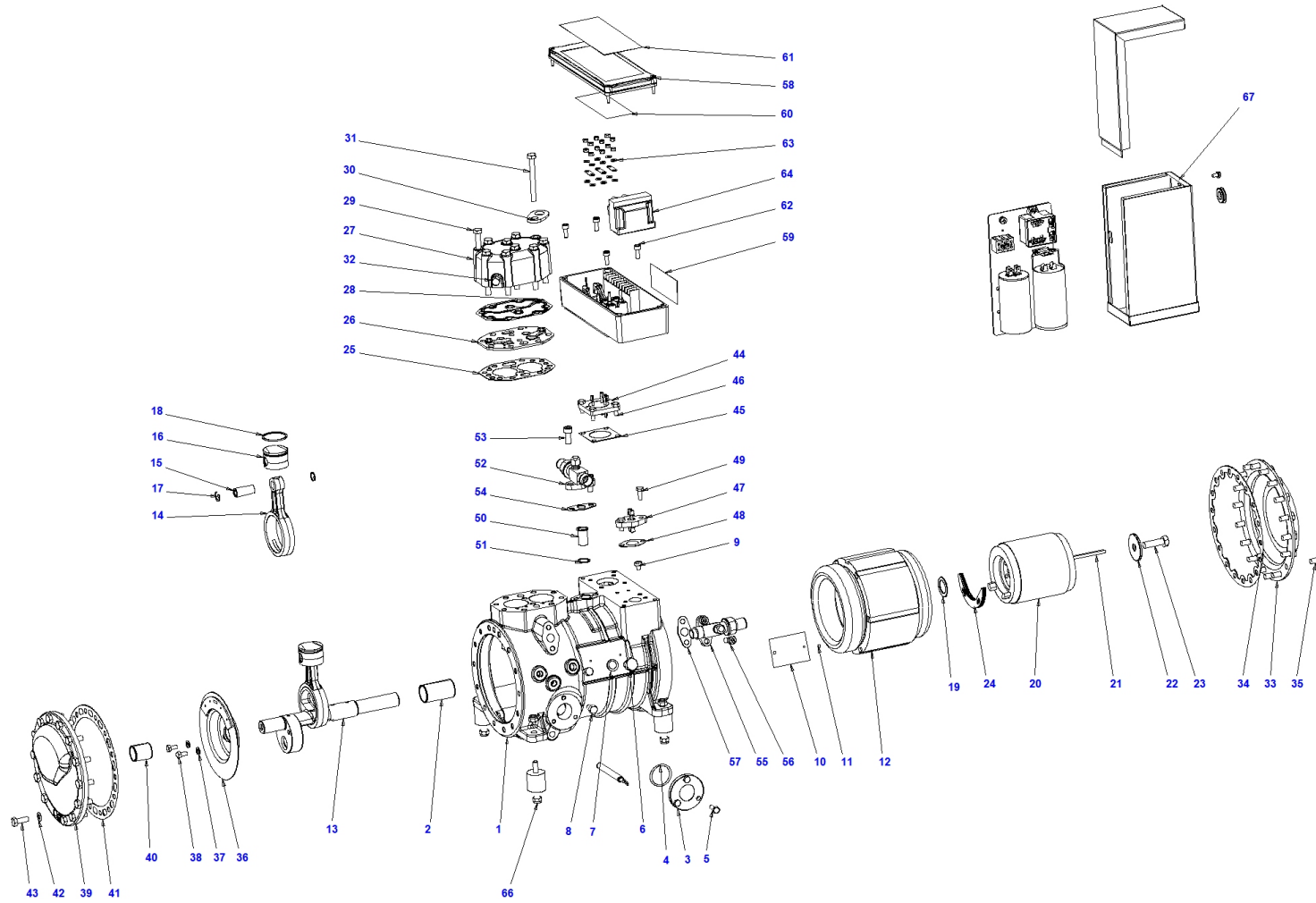


B 1.5 10 Y



Pos.	Code	Description	Quantity	Note	Notice:
1	S1451001AA	Compressor body	1		
2	S1251013-A	Main friction bearing	1		
3	SOS1	Oil sight glass	1		
4	S3131OR	O-ring for oil sight glass	1		
5	TE1006016	Screw M6x16 UNI5739	3		
6	S1451130	Plug 1/4" gas ISO 228/1	1		
7	S1351056	Gasket	1		
8	S1251130	Plug 1/8 NPT	2		
9	TS4006008	Screw M6x8 ISO 7045	1		
10	ML_B	Nameplate	1		
11	RI1025035	Rivet	2		
12	RS03A	Stator 230-400 / 3 / 50 DOL	1		
12	RS05Z	Stator 230-400 / 3 / 60 DOL	1		
13	S1451002AA	Shaft	1		
14	S1451003AA	Connecting rod	2		
15	S1451005	Piston pin	2		
16	S1451004-A	Piston	2		
17	S1251149	Circlip	4		
18	S1455001	Compression ring	2		
19	S1251011	Thrust collar	1		

Pos.	Code	Description	Quantity	Note	Notice:
20	RR03	Rotor	1		
21	S1451063	Key 5x5x55	1		
22	S2481045	Washer	1		
23	TE1010035	Screw M10x35 UNI5739	1		
24	S1251017	Counterweight	8		
25	S1451031E	Gasket valve plate - body	1		
26	S1251006-B	Valve plate	1		
27	S1451007AA	Head	1		
28	S1501032	Gasket valve plate - head	1		
29	TE1208070	Screw M8x70 UNI5737	9		
30	V0001532	Lifting eyebolt	1		
31	TE1208075	Screw M8x75 UNI5737	1		
32	S1251130	Plug 1/8 NPT	1		
33	S1251010-A	Suction flange	1		
34	S1251034C	Suction flange - body gasket	1		
35	TE1008018	Screw M8x18 UNI5739	18		
36	S1411008	Oil splashing disc	1		
37	RO2006011	Washer 6x10 UNI 1751A	2		
38	TE1006012	Screw M6x12 UNI5739	2		
39	S1251009AA	Flange	1		

Pos.	Code	Description	Quantity	Note	Notice:
40	S1251012-A	Main friction bearing	1		
41	S1251033C	Flange gasket	1		
42	S1451056	Gasket	1		
43	TE1008022	Screw M8x22 UNI5739	14		
44	T00EC02A	Connections plate	1		
45	S1251043	Connections plate gasket	1		
46	TE1006016	Screw M6x16 UNI5739	4		
47	T00EC05	Thermistor terminal	1		
48	S1251036C	Thermistor gasket	1		
49	TE1006016	Screw M6x16 UNI5739	2		
50	S1251038-A	Suction strainer	1		
51	S1451055	Suction strainer gasket	1		
52	T00VRS012035	Valve 5/8	1		
53	TC2408020	Screw M8x20 UNI5931	2		
54	S1251055D	Valve gasket	1		
55	T00VRS011035	Valve ODS 1/2'	1		
56	TC2408020	Screw M8x20 UNI5931	2		
57	S1251055D	Valve gasket	1		
58	S249A039	Terminal box	1		
59	M053-00	Starting drawing	1		

Pos.	Code	Description	Quantity	Note	Notice:
60	M199-00	Cablepress holes-making adhesive scheme	1		
61	M066-00	Security operation drawing	1		
62	TC2006016	Screw M6x16	4		
63	SK261100	Staple bars kit	1		
64	ECA01A	Electronic module 220V AC	1		
66	SK205010	Rubber vibration absordber kit	1		
	SK0300	Gasket kit	1		
	SK100110	Valve kit	1		
	SK100120	Valve kit	1		
	SK12502	Valve plate kit	1		
	SK130700	Connecting rod/piston kit	2		
	SK140000	Friction bearing kit	1		
	SK170100	Oil sight glass kit	1		
	SK180300	3 ph terminal box kit	1		
	SK230351	Complete electric motor - 230-400 / 3 / 50 DOL	1		
	SK230356	Complete electric motor - 230-400 / 3 / 60 DOL	1		
	SK260200	3 ph electric connections kit	1		
	SK260300	3 ph thermistor connectors kit	1		