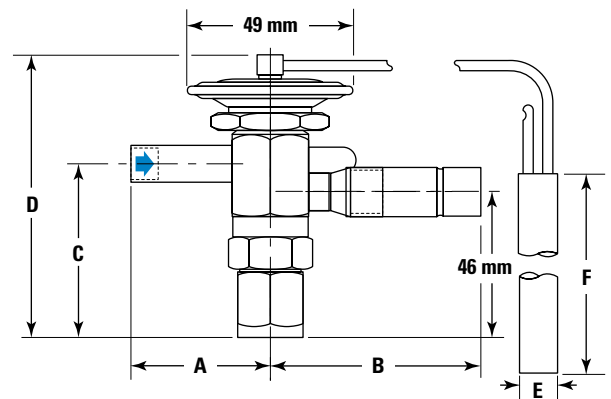


# THERMOSTATIC EXPANSION VALVES 22, 134a, 404A, 407C, 409A, 410A, 507

## Type RE – Knife Edge Joint Standard Cap Tube Length 60 inches (1.5 m)

The Type RE valve is a small balanced port valve designed for use on refrigeration applications as well as residential and small commercial air conditioning and heat pump units. The balanced port design provides exceptional control of refrigerant in both directions, making this valve an excellent choice for heat pump systems.



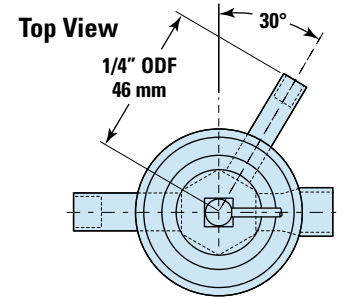
### Dimensions – Connections

VALVE TYPE	FITTING SIZE Inches	mm			
		A	B	C	D
RE-1, 1-1/2 & 2*	3/8 ODF	43	63	55	90
	1/2 ODF	45	63	55	90
RE-3, 4, 5, 6 & 8	3/8 ODF	43	63	55	90
	1/2 ODF	45	63	55	90
	5/8 ODF	34	63	55	90
RE-12-1/2 & 15	7/8 ODF	—	61	55	90
	5/8 ODF	38	—	59	97
	7/8 ODF	53	—	59	97
	7/8 ODF Ext.	—	64	59	97

\*1/2 ODF inlet available on 2 ton valves only.

### Bulb Sizes

THERMOSTATIC CHARGE	mm	
	E	F
C	13	76
Z	13	76
CP100, CP200	13	76
GA	19	51
ZP	13	76



### Specifications

REFRIGERANT (Sporlan Code)	VALVE TYPE	NOMINAL CAPACITY kW of Refrigeration	ELEMENT SIZE NO.	THERMOSTATIC CHARGES AVAILABLE	STANDARD TUBING LENGTH m	CONNECTION – Inches <sup>①</sup> ODF		NET WEIGHT – kg	SHIPPING WEIGHT – kg			
						Blue figures are standard and will be furnished unless otherwise specified.						
						INLET	OUTLET					
407C (N) 22 (V)	RNE-1	3.5	43	C CP100 GA Z ZP40	1.5	3/8	1/2	0.45	0.68			
	RNE-1-1/2	5.25										
	RNE-2	7										
	RNE-3	10.5										
	RNE-4	14										
	RNE-5	17.5										
	RNE-6	21										
	RNE-8	28	45-5			1/2	5/8					
RNE-10	35											
RNE-12	42			5/8		7/8 Ext.						
134a (J) 409A (F)	RJE-1/2	1.75	43	C		1.5	3/8			1/2	0.45	0.68
	RJE-1	3.5										
	RJE-1-1/2	5.25										
	RJE-2	7										
	RJE-2-1/2	8.75										
	RJE-3	10.5										
RJE-4	14	43	C Z ZP	1/2	5/8							
RSE-1/2	1.75											
RSE-1	3.5											
RSE-1-1/2	5.25											
RSE-2	7											
RSE-3	10.5											
RSE-3-1/2	12.25	45	CP200 GA	1/2	5/8							
RSE-4	14											
RZE-1	4.20											
RZE-1-1/2	7.35											
RZE-2	9.66											
RZE-3	13.4											
RZE-4	17.6	45-5		3/8	1/2							
RZE-5	21.0											
RZE-6	25.2											
RZE-8	33.6											
RZE-12-1/2	43.8											
RZE-15	50.8											

① Valves are also available as special order with SAE connections.  
 Note: Valves with SAE inlet and outlet fittings are available only with the 1/4" SAE flare external equalizer; valves with ODF fittings are available only with the 1/4" ODF external equalizer.  
 Note: Valves can be supplied with internal equalizer on valves with nominal capacity of 2 or less.