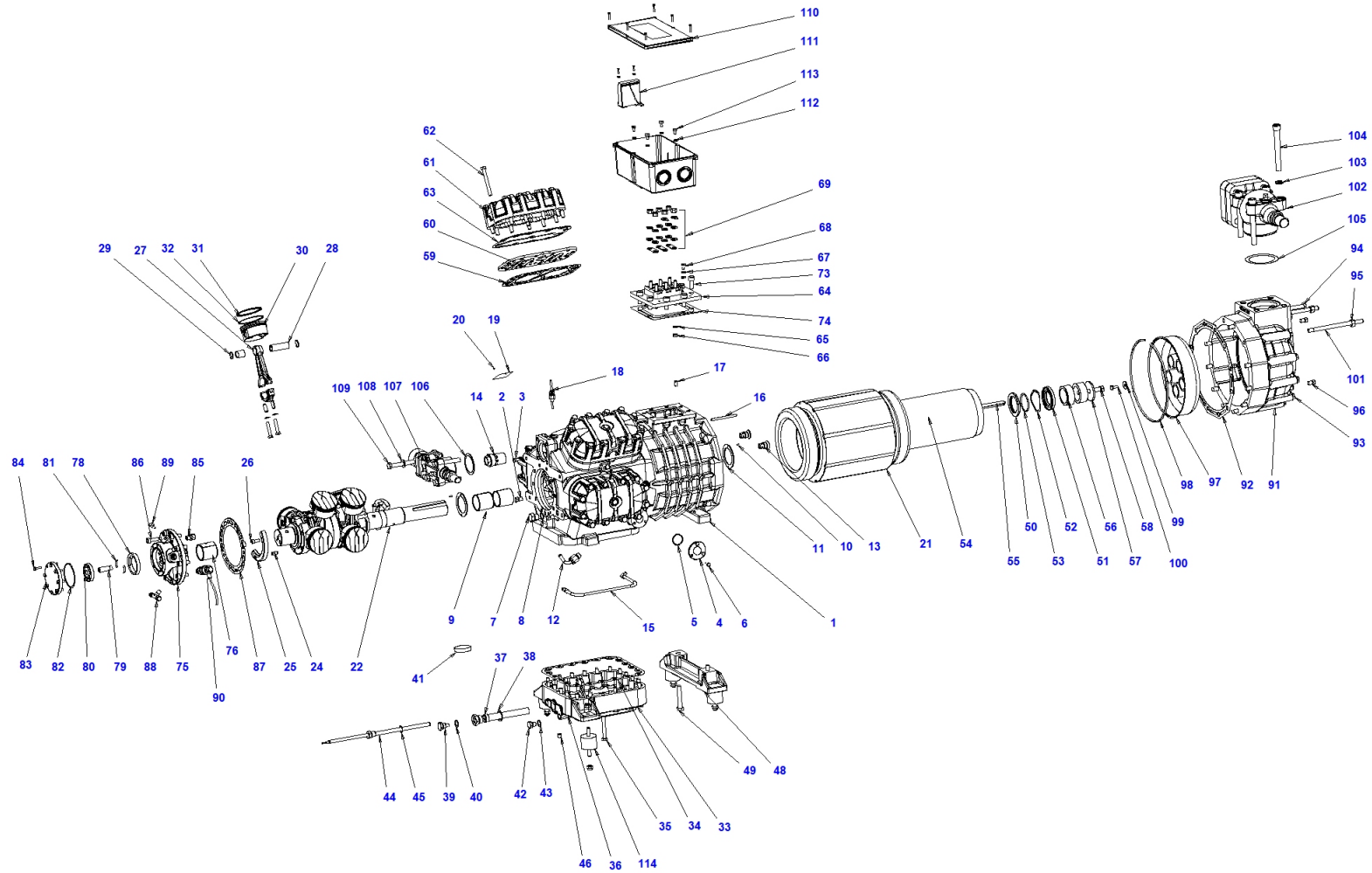


W 80 240 Y



Pos.	Code	Description	Quantity	Note	Notice:
1	S8801001AA	Compressor body	1		
2	S6501130	Plug 1/4 NPT	6		
3	S1251130	Plug 1/8 NPT	2		
4	SOS1	Oil sight glass	2		
5	S3131OR	O-ring for oil sight glass	2		
6	TE1006016	Screw M6x16 UNI5739	6		
7	S8601130	Plug 3/8 gas ISO 228/1	1		
8	S6501056	3/8 gas gasket	1		
9	S8701013-A	Main friction bearing	2		
10	SE1004008	Pin	2		
11	S8701011	Thrust collar	2		
12	S860A070	Oil return valve	1		
13	S860A076	Pressure regulatng valve	2		
14	S8801156	Safety relief valve	1		
15	S8701131	Internal oil pipe	1		
16	S6301063	Key 8x5x90 UNI 7510	1		
17	GR101016	Stop dowel	1		
18	EC50D	Temperatur sensor diagnose	1		
19	ML_W	Nameplate	1		
20	RI1025035	Rivet	2		

Pos.	Code	Description	Quantity	Note	Notice:
21	RS22A	Stator 230-400 / 3 / 50 DOL	1		
21	RS22B	Stator 400 / 3 / 50 SDS	1		
21	RS22CL	Stator 400 / 3 / 50 PWS	1		
22	S8801002AA	Shaft	1		
24	SE1008020	Elastic pin ISO13337 8x20	2		
25	S8801017	Counterweight	2		
26	TC2408020	Screw M8x20 UNI5931	4		
27	S8701003BB	Connecting rod	8		
28	S6501005	Piston pin	8		
29	S6301149	Circlip	16		
30	S8801004	Piston	8		
31	S8806001	Oil scraper ring	8		
32	S8805001	Compression ring	8		
33	S8701014AA	Bottom plate	1		
34	S8601015	Gasket for bottom plate	1		
35	TE1210075	Screw M10x75 UNI5737	17		
36	TC2210075	Screw M10x75 UNI5931	3		
37	S4501047-A	Oil strainer	1		
38	S8701056	3/4 gas gasket	1		
39	S8601130	Plug 3/8 gas ISO 228/1	1		

Pos.	Code	Description	Quantity	Note	Notice:
40	S6501056	3/8 gas gasket	1		
41	W3501128	Magnet	1		
42	S1451130	Plug 1/4" gas ISO 228/1	1		
43	S1351056	Gasket	1		
44	S4601351	Sleeve for Crankase Heater	1		
45	S6501056	3/8 gas gasket	1		
46	TA1514000	Plug 1/4" NPT	1		
48	S8701018AA	Thrusting bracket	1		
49	TE1212075	Screw M12x75 UNI5737	2		
50	S8701078	Shaft thrust bearing	1		
51	S8701120	Thrust collar	1		
52	ANLMKAS72	Spring	1		
53	S4212OR	OR4212	1		
54	RR24L	Rotor	1		
55	S6501063	Key 12x8x140	1		
57	S8701045	Rotor washer	1		
58	TE1212080	Screw M12x80 UNI5737	1		
59	S8801031	Gasket valve plate - body	4		
60	S8801026HH	Valve plate	4		
61	S6501007HH	Head	4		

Pos.	Code	Description	Quantity	Note	Notice:
62	TE1210090	Screw M10x90 UNI5737	52		
63	S8701032	Gasket valve plate - head	4		
64	S8601040	Terminal plate	1		
65	RO1106012	Washer 6.4x12x1.6 UNI 6592	6		
66	DE2206006	Nut M6X1X6 DIN 980	6		
67	RO1106012	Washer 6.4x12x1.6 UNI 6592	2		
68	TS4006008	Screw M6x8 ISO 7045	1		
69	SK261310	Staple bars connection kit - V/Z/W NEW	1		
73	TC2710025	Screw M10x25 UNI5931	8		
74	S4501043C	Connections plate gasket	1		
75	S8601009AA	Flange	1		
76	S8701012-A	Friction bearing flange side	1		
78	S6301069	Oil pump eccentric	1		
79	S6501049	Oil pump stud	1		
80	S4951125	Oil pump gear	1		
81	S4951134	Oil pump spring	2		
82	S3300OR	O-ring for oil pump cover	1		
83	S6301067AA	Oil pump cover	1		
84	TE1006020	Screw M6x20 UNI5739	8		
85	S4951044	Oil pump safety valve	1		

Pos.	Code	Description	Quantity	Note	Notice:
86	TC2410030	Screw M10x30 UNI5931	10		
87	S6501033C	Flange gasket	1		
88	RA2001030	Connection a T 1/8 NPT-1/4 Sae-1/4 Shrader	1		
89	S1251130	Plug 1/8 NPT	1		
90	EC1630DRIC	DIFF. PR. SWITCH KIT INT250	1		use EC1620RIC with DELTA P2
91	S8701010AA	Suction flange	1		
92	S8701034B	Suction flange - body gasket	1		
93	TE1212180	Screw M12x180 UNI5737	8		
94	TE1212220	Screw M12x220 UNI5737	2		
95	DE1112012	Nut M12x1,75x12 UNI 5587	2		
96	S6501130	Plug 1/4 NPT	2		
97	S8701038-A	Suction strainer	1		
98	AN2027000	Ring	1		
99	RO1008024	Washer M8x24 UNI 6593	1		
100	TE1008018	Screw M8x18 UNI5739	1		
101	S8701153	Screw M12 L=180	2		
102	VGS091099	Valve	1		
103	RO2016025	Washer Grower 16x25 DIN 7980	4		
104	TC2216140	Screw M16x140 UNI5931	4		
105	S6501055B	Valve gasket	1		

Pos.	Code	Description	Quantity	Note	Notice:
106	S4501055B	Valve gasket	1		
107	VGS072063	Valve	1		
108	RO1012024	Washer M12x24 UNI 6592	4		
109	TE1212085	Screw M12x85 UNI5737	4		
110	S8601039	Terminal box	1		
111	ECA11D	INT69 TML diagnose module kit	1		use ECA11D-UPG with INT 69 TM
112	RO2006011	Washer 6x10 UNI 1751A	4		
113	TS4006012	Screw M6x12 ISO 7045	4		
114	SK205050	Rubber vibration absordber kit	1		
	S880A004	Piston kit	1		
	SK103720	Discharge valve kit	1		
	SK103910	Suction valve kit	1		
	SK133200	Connecting rod/piston kit	8		
	SK140500	Friction bearing kit	1		
	SK170100	Oil sight glass kit	2		
	SK182100	3 ph terminal box kit	1		
	SK190100	Oil strainer kit	1		
	SK210100	Oil pump kit	1		
	SK232811	Complete electric motor - 230-400 / 3 / 50 DOL	1		
	SK232812	Complete electric motor - 400 / 3 / 50 SDS	1		

W 80 240 Y

Pos.	Code	Description	Quantity	Note	Notice:
	SK232813	Complete electric motor - 400 / 3 / 50 PWS	1		
	SK261040	Electric connections kit	1		
	SK261310	Staple bars connection kit - V/Z/W NEW	1		
	SK3100	Gasket kit	1		
	SK87010	Valve plate kit	4		
	sk890100	Kit thrust collar and spring W	1		