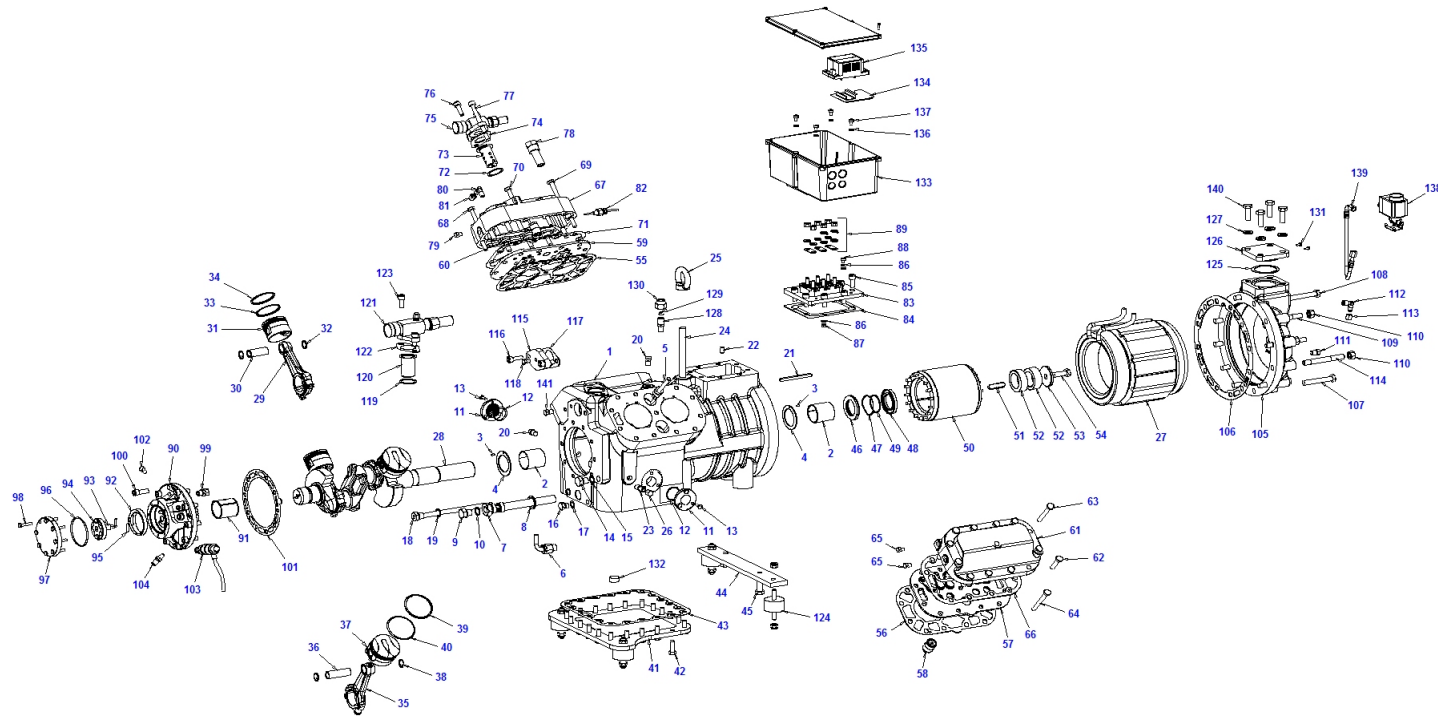


2V 10 42 29 Y



Pos.	Code	Description	Quantity	Note	Notice:
1	S4951001BA	Compressor body	1		
2	S6501013-A	Main friction bearing	2		
3	SE1004008	Pin	2		
4	S6501011	Thrust collar	2		
5	S430A076	Pressure regulatng valve	1		
6	S860A070	Oil return valve	1		
7	S4501047-A	Oil strainer	1		
8	S8701056	3/4 gas gasket	1		
9	S8601130	Plug 3/8 gas ISO 228/1	1		
10	S6501056	3/8 gas gasket	1		
11	SOS1	Oil sight glass	2		
12	S3131OR	O-ring for oil sight glass	2		
13	TE1006016	Screw M6x16 UNI5739	6		
14	S8601130	Plug 3/8 gas ISO 228/1	1		
15	S6501056	3/8 gas gasket	1		
16	S1451130	Plug 1/4" gas ISO 228/1	1		
17	S1351056	Gasket	1		
18	S4601351	Sleeve for Crankase Heater	1		
19	S6501056	3/8 gas gasket	1		
20	S6501130	Plug 1/4 NPT	3		

Pos.	Code	Description	Quantity	Note	Notice:
21	S6301063	Key 8x5x90 UNI 7510	1		
22	GR101016	Stop dowel	1		
23	RA3501414	Connection 1/4" NPT - 1/4" SAE	1		
24	RM1016160	Screw	1		
25	GO2016000	Raising ring	1		
26	TA3500014	Brass plug 1/4" SAE	1		
27	RS11C02AMS	Stator 400 / 3 / 50 PWS	1		
28	S4951002AA	Shaft	1		
29	S6501003AA	Connecting rod	1		
30	S6301005	Piston pin	1		
31	S6301004-A	Piston	1		
32	S6301149	Circlip	2		
33	S4496001	Oil scraper ring	1		
34	S4495001	Compression ring	1		
35	S6501003AA	Connecting rod	1		
36	S6501005	Piston pin	1		
37	S6401004-A	Piston	1		
38	S6301149	Circlip	2		
39	S6406001	Oil scraper ring	1		
40	S6405001	Compression ring	1		

Pos.	Code	Description	Quantity	Note	Notice:
41	S4751014AA	Bottom plate	1		
42	TE1010030	Screw M10x30 UNI5739	20		
43	S4751015	Gasket for bottom plate	1		
44	S4501018AA	Thrusting plate	1		
45	TE1010030	Screw M10x30 UNI5739	2		
46	S6501078	Shaft thrust bearing	1		
47	ANLMKAS62	Spring	1		
48	S6501120	Thrust collar	1		
49	S3175OR	OR3175	1		
50	RR13B	Rotor	1		
51	S4151063	Key 12x8x45 UNI 6604-69	1		
52	S4001061	Spacer for rotor	2		
53	S4501045	Washer	1		
54	TE1012035	Screw M12x35 UNI5739	1		
55	S6301031C	Gasket valve plate - body	1		
56	S6401031C	Gasket valve plate - body	1		
57	S6421026DS1	1st stage valve plate	1		
58	S6401156	Safety relief valve	1		
59	S6301026DS2	2nd stage valve plate	1		
60	S4491156	Safety relief valve	1		

Pos.	Code	Description	Quantity	Note	Notice:
61	S6551007DS1	1st stage head	1		
62	TE1210045	Screw M10x45 UNI5737	4		
63	TE1210075	Screw M10x75 UNI5737	8		
64	TE1210090	Screw M10x90 UNI5737	1		
65	S1251130	Plug 1/8 NPT	2		
66	S6551032	Gasket valve plate - head	1		
67	S6551007DS2	2nd stage head	1		
68	TE1210045	Screw M10x45 UNI5737	4		
69	TE1210075	Screw M10x75 UNI5737	7		
70	TE1210090	Screw M10x90 UNI5737	1		
71	S8701032	Gasket valve plate - head	1		
72	S3601055B	Filter valve gasket	1		
73	S6501065A	Pulsations reducer	1		
74	S4751055	Valve gasket	1		
75	T00VRS061066	Valve 1' 1/8	1		
76	TC2410030	Screw M10x30 UNI5931	1		
77	TC2210110	Screw M10x110 UNI5931	1		
78	S4951352	thermostatic bulb pocket	1		
79	S1251130	Plug 1/8 NPT	1		
80	RA1001010	Connection 90° 1/8 NPT - 1/4 SAE	1		

Pos.	Code	Description	Quantity	Note	Notice:
81	TA3500014	Brass plug 1/4" SAE	1		
82	EC50	Temperatur sensor	1		
83	S8601040	Terminal plate	1		
84	S4501043C	Connections plate gasket	1		
85	TC2710025	Screw M10x25 UNI5931	8		
86	RO1106012	Washer 6.4x12x1.6 UNI 6592	8		
87	DE2206006	Nut M6X1X6 DIN 980	6		
88	TS4006008	Screw M6x8 ISO 7045	1		
89	SK261310	Staple bars connection kit - V/Z/W NEW	1		
90	S4951009AA	Flange	1		
91	S6501012-A	Friction bearing flange side	1		
92	S6301069	Oil pump eccentric	1		
93	S6501049	Oil pump stud	1		
94	S4951125	Oil pump gear	1		
95	S4951134	Oil pump spring	2		
96	S33000R	O-ring for oil pump cover	1		
97	S6301067AA	Oil pump cover	1		
98	TE1006020	Screw M6x20 UNI5739	8		
99	S4951044	Oil pump safety valve	1		
100	TC2410030	Screw M10x30 UNI5931	10		

Pos.	Code	Description	Quantity	Note	Notice:
101	S6501033C	Flange gasket	1		
102	S1251130	Plug 1/8 NPT	1		
103	EC1620RIC	Oil pressostat	1		
104	RA5201010	Plag+schrader 1/8 "NPT-1/4" SAE	1		
105	S4551010AA	Suction flange	1		
106	S6501034C	Suction flange - body gasket	1		
107	TE1212080	Screw M12x80 UNI5737	6		
108	TE1212110	Screw M12x110 UNI5737	2		
109	S4551153	Screw M12 L=75	2		
110	DE1112012	Nut M12x1,75x12 UNI 5587	4		
111	S6501130	Plug 1/4 NPT	1		
112	RA1001000	Connection 90° 1/4 NPT - 1/4 SAE	1		
113	TA3500014	Brass plug 1/4" SAE	1		
114	S4581153	Screw M10 L=75	2		
115	S4501060-A	Discharge flange	1		
116	TC2410030	Screw M10x30 UNI5931	2		
117	S4501058D	Valve gasket	1		
118	S1251130	Plug 1/8 NPT	1		
119	S3601055B	Filter valve gasket	1		
120	S4551038-A	Suction strainer	1		

Pos.	Code	Description	Quantity	Note	Notice:
121	T00VRS060066	Valve 1' 3/8	1		
122	S4951055C	Valve gasket	1		
123	TC2410025	Screw M10x25 UNI5931	2		
124	SK205040	Rubber vibration absordber kit	1		
125	S4501055B	Valve gasket	1		
126	V0001919	Blind flange	1		
127	RO1012024	Washer M12x24 UNI 6592	4		
128	G400F03F2	Connection 1/4" NPT - 3/8" SAE	1		
129	G200003	Copper nipple	1		
130	G1800F0310	Filler 3/8 SAE	1		
131	TS4004010	Screw M4x10 UNI 7687	2		
132	W3501128	Magnet	1		
133	S855A039	Terminal box	1		
134	S8671043	Metal support	1		
135	EC2252	electronic controller motor cooling module	1		
136	RO2006011	Washer 6x10 UNI 1751A	4		
137	TS4006010	Screw M6x10 ISO 7045	4		
138	EC1285	Solenoid valve+ coil 1/4 "SAE	1		
139	V0001912	Tube for solenoid valve	1		
140	TE1012035	Screw M12x35 UNI5739	4		



Pos.	Code	Description	Quantity	Note	Notice:
141	S1251130	Plug 1/8 NPT	1		
	S630A004	Piston kit	1		
	S640A004	Piston kit	1		
	SK100650	Valve kit	1		
	SK100660	Valve kit	1		
	SK132400	Connecting rod/piston kit	1		
	SK132600	Connecting rod/piston kit	1		
	SK140400	Friction bearing kit	1		
	SK170100	Oil sight glass kit	1		
	SK182100	3 ph terminal box kit	1		
	SK190100	Oil strainer kit	1		
	SK210000	Oil pump kit	1		
	SK2140	Gasket kit	1		
	SK231425	Complete electric motor - 400 / 3 / 50 PWS	1		
	SK261040	Electric connections kit	1		
	SK63010	1st stage valve plate kit	1		
	SK63016	2nd stage valve plate kit	1		
	SK890000	Kit thrust collar and spring V - Z	1		