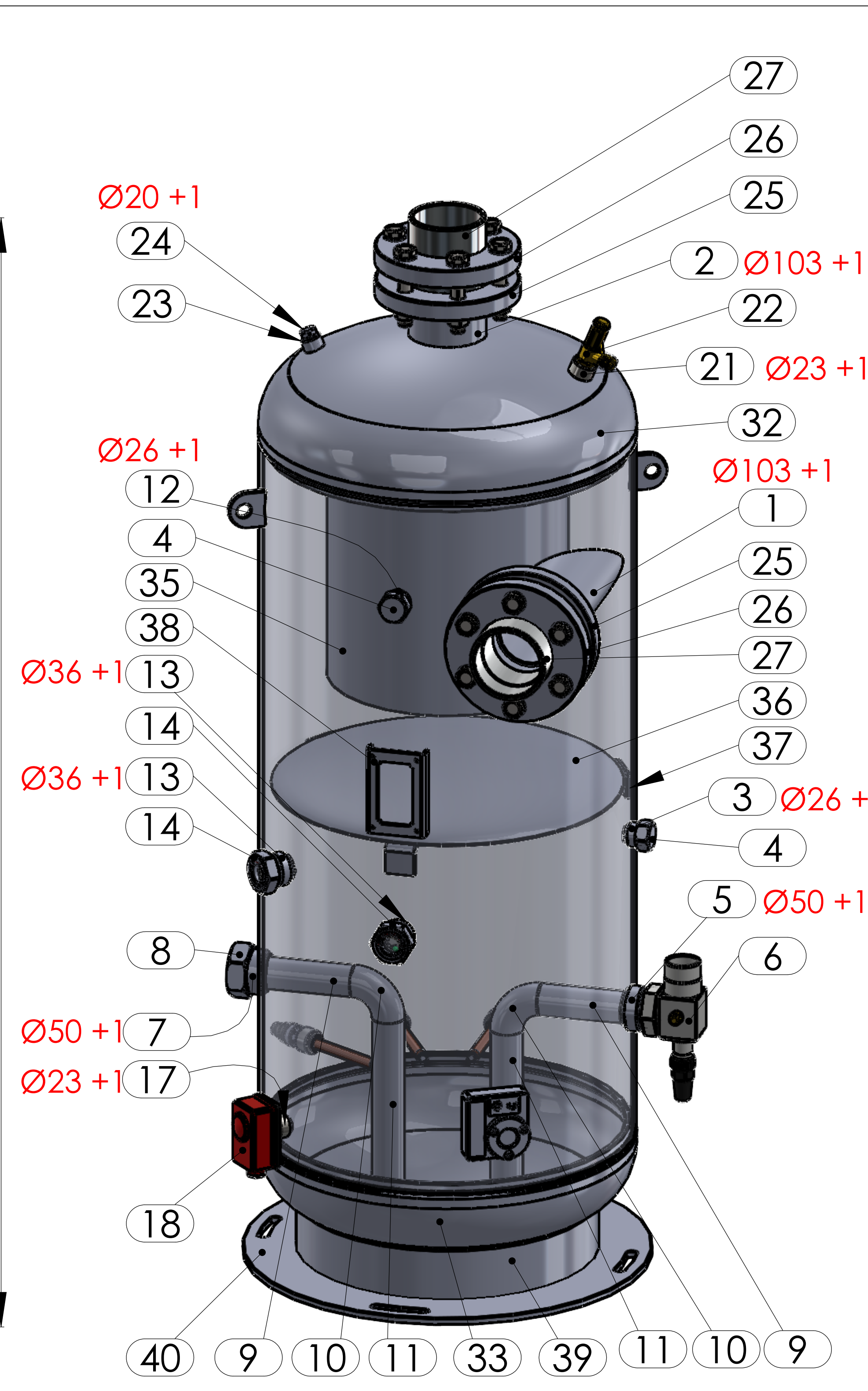
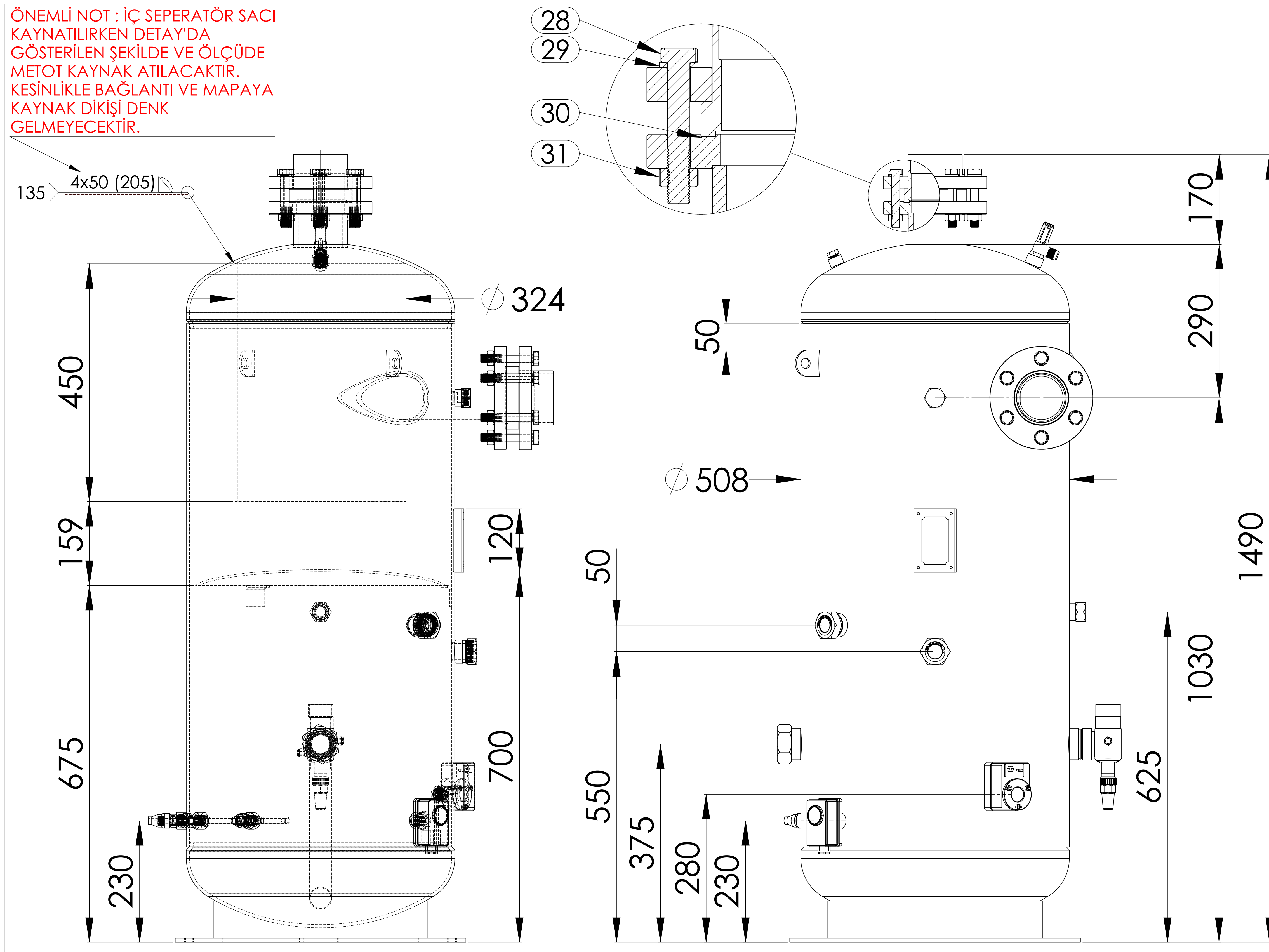


ÖNEMLİ NOT : İÇ SEPERATÖR SACI KAYNATILIRKEN DETAY'DA GÖSTERİLEN ŞEKİLDE VE ÖLÇÜDE METOT KAYNAK ATILACAKTIR. KESİNLİKLE BAĞLANTI VE MAPAYA KAYNAK DIKIŞI DENK GELMEYECEKTİR.



**GÜVEN SOĞUTMA**  
**ÜNİTELERİ SAN. VE TİC. A.Ş.**  
 Add.: Hastane Mah. Hadimköy İstanbul Cd. No:78/1  
 34555, Arnavutköy, İstanbul, TURKEY  
 Tel: +90 212 771 51 12 - 771 51 13  
 Fax: +90 212 771 51 10  
 www.gvn.com.tr



<b>GVN STANDART PRODUCT</b>	<b>Customer</b>
<b>OIL SEPARATORS FOR SCREW COMPRESSORS</b>	<b>Product</b>
<b>OS.D.33b.900.E5.3HT1.G5</b>	<b>Code</b>
	<b>Customer Code</b>

DESIGN DATA	
Capacity [Lt.]	Oil V.:90 Lt./Total V.:220 Lt.
Design Pressure [PS]	33 Bar
Pneumatic Test Pressure [PT]	36 Bar
Hydraulic Test Pressure	48 Bar
Design Temperature [TS]	Min.-20C / Max.+130C
Cooler Fluid Type	HFC-CFC-HCFC
Fluid Group	2
Category	CAT IV / H1
Desing Calculation	EN 14276-1/EN 13445-3
Welded Joint Efficiency	0.85
Material Group (Shell / Head)	1.2
Testing Group	3b
Corrasion Allowance	0,5 mm
Ndt	10%
Packaging Size & Weight	00*00*00 & 00 Kg.
Drawed By	M.ABDULAZİZ
Approved By	D.GÜL
Date	21.07.2023
Color	RAL 5009

MATERIAL DATA				
No	Connection	Model	Code	Material Qty
1	Inlet Pipe	Ø102x10 H:300,0	104.900.102.OSD.002	1
2	Outlet Pipe	Ø102x10 H:65,0	104.900.102.OSD.001	1
3	Oil Inlet Connection	ROT. 1 1/4" H:27	106.060.A03.001.001	E275 1
4	Blind Plug	ROT. 1 1/4"	106.060.A03.001.002	S235 2
5	Oil Outlet Connection	ROT 2 1/4" H:36	106.060.A05.001.001	E 275 1
6	Outlet Valve	RV.45B-1 5/8		1
7	Parallel Comp. Out Conn.	ROT 2 1/4" H:36	106.060.A05.001.001	E 275 1
8	Blind Plug	ROT 2 1/4"	106.060.A05.001.002	1
9	Pipe	Ø42x1,5 H:130	104.042.015.000.130	E235 2
10	Elbow	42,4x2,6	114.042.001.001.001	S235JR 2
11	Pipe	Ø42x1,5 H:265	104.042.015.000.265	E235 2
12	Service Valve Conn.	ROT. 1 1/4" H:27	106.060.A03.001.001	E275 1
13	Sight Glass Connection	SGC 1 3/4" H:32	106.0SG.134.001.001	P235GH 2
14	Sight Glass	SGC134		2

No	Connection	Model	Code	Material	Qty
15	Level Sensor Conn.	NPT 1/2" H:18	106.060.F04.000.001	S235JR	1
16	Oil Level Sensor	COML-230 - I1	COML-230		1
17	Thermostat Conn.	NPT 1/2" H:18	106.060.F04.000.001	S235JR	1
18	Oil Thermostat	OT-01 THERMOSTAT			1
19	Oil Heater Conn.	NPT 1/2" H:18	106.060.F04.000.001	S235JR	3
20	Oil Heaters	OH	OH-01 REZİSTANS		3
21	Safety Valve Conn.	NPT 1/2" H:18	106.060.F04.000.001	E275-ST44	1
22	Safety Valve	40095-K4N4-0-300			1
23	Service Valve Conn.	NPT 3/8"	106.060.F03.000.001	E275	1
24	Blind Plug	NPT 3/8"Plug	106.130.F03.001.001	S235JR	1
25	Bottom Flange	Ø195x24	107.033.OSD.092.001	P355GH+N	2
26	Top Flange	Ø195x24	107.033.OSD.092.002	P355GH+N	2
27	FC-92 ODS	ODS 3 5/8"	107.033.OSD.092.003	P355GH+N	2
28	Bolt	M16x100	109.160.100.088.C01		12
29	Washer	M16	109.160.000.000.R01		12
30	Gasket	KLINGERIT	108.117.098.000.K01	GP-150	2
31	Nut	M16	DIN934 M16		12
32	Head - Torispheric	Ø508x6 H:153	201.033.508.001.001	P355GH EN 10028-2	1
33	Head - Torispheric	Ø508x6 H:153	101.033.508.001.000	P355GH EN 10028-2	1
34	Shell	Ø508x6 H: 990	204.OSD.33B.900.001	P355GH	1
35	Oil Sperator Pipe	Ø324x4,5 H:450	104.033.324.OSD.001	S235	1
36	Oil Sperator Plate	Ø473x2,5mm	105.OSD.900.001.001	DD-13	1
37	Lifting Lug	40x20x4	105.012.040.040.001	S235	3
38	Label Plate	120x80x2	105.006.002.120.080	DD-13	1
39	Skirt	Ø406x5mm H:70	104.033.H70.550.406	S235	1
40	Base Plate	Ø550x8mm	105.005.550.001.001	S235	1
41	Lifing	50x50x5	105.011.MP0.050.050	S235JR	2

**GENERAL NOTES**

- Max. allowable operating pressure (PS) according to the temperature range;
- 1) Allowable operating temperature : min. -20C° / max. +130C° PS1 = 33 Bar
- 2) Allowable operating temperature : min. -40C° / max. -20C° PS2 = 24 Bar
- Unless otherwise specified dimensions in MM
- Unless otherwise specified do not scale
- Unless otherwise specified tube must be clean&free from burrs inside&outside&uitable for soldering
- Unless otherwise specified do not scale indicated thickness are min. after forming or machining
- Unless otherwise specified dimension tolerances according to EN 113445-4

REVISIONS			
No	Details Of Change	Date	By
01			
02			
03			

RELATED DRAWINGS		
No	Description	Drawing No
01		
02		



We reserve all rights in this document and in the information contained therein. Reproduction use or disclosure to third parties without express authority is strictly forbidden.

