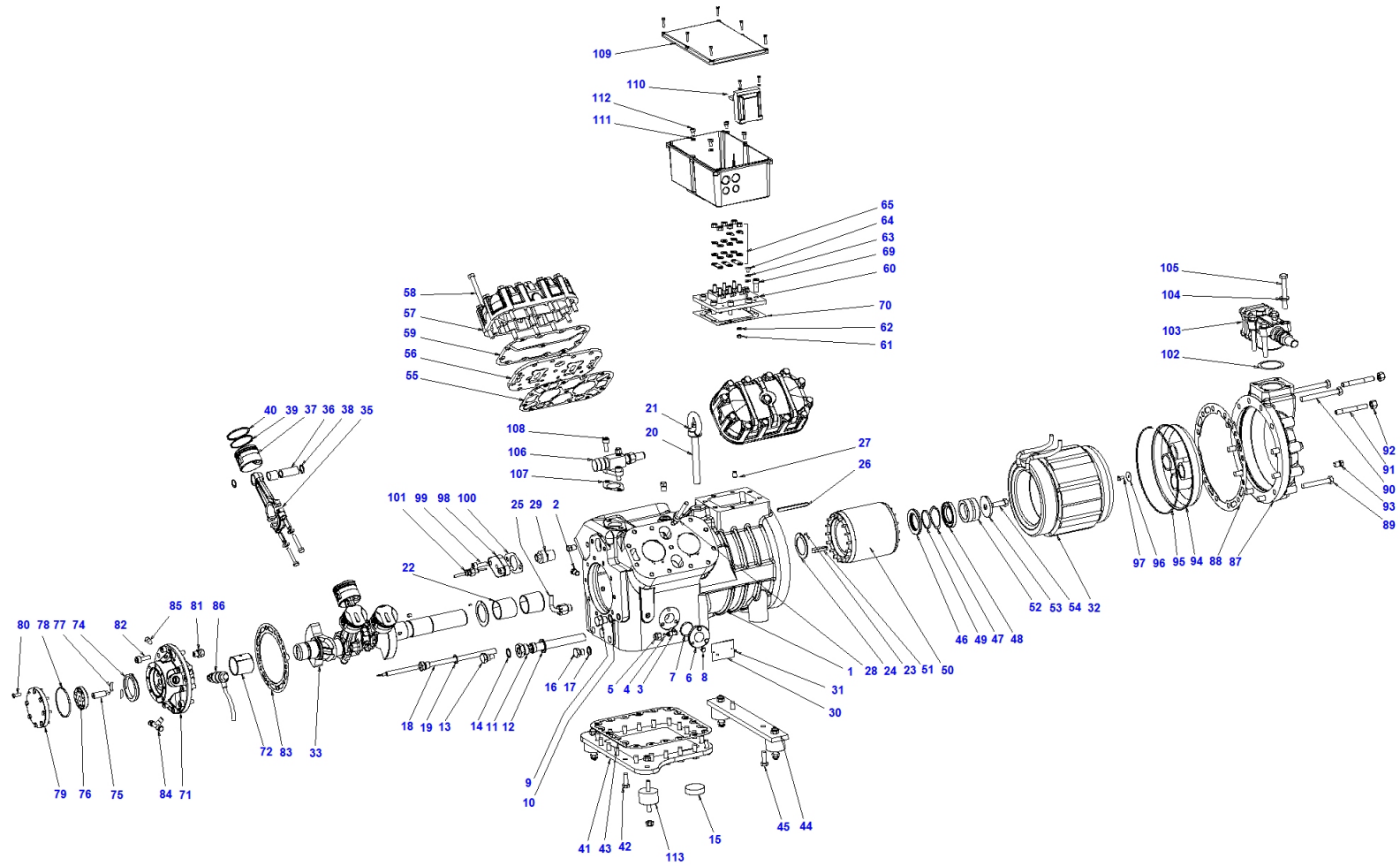


V 15 59 Y



Pos.	Code	Description	Quantity	Note	Notice:
1	S4551001AA	Compressor body	1		
2	S6501130	Plug 1/4 NPT	3		
3	RA1001000	Connection 90° 1/4 NPT - 1/4 SAE	1		
4	G200002	Copper nipple	1		
5	G1800F026	Filler 1/4 SAE	1		
6	SOS1	Oil sight glass	2		
7	S3131OR	O-ring for oil sight glass	2		
8	TE1006016	Screw M6x16 UNI5739	6		
9	S8601130	Plug 3/8 gas ISO 228/1	1		
10	S6501056	3/8 gas gasket	1		
11	S4501047-A	Oil strainer	1		
12	S8701056	3/4 gas gasket	1		
13	S8601130	Plug 3/8 gas ISO 228/1	1		
14	S6501056	3/8 gas gasket	1		
15	W3501128	Magnet	1		
16	S1451130	Plug 1/4" gas ISO 228/1	1		
17	S1351056	Gasket	1		
18	S4601351	Sleeve for Crankase Heater	1		
19	S6501056	3/8 gas gasket	1		
20	RM1016160	Screw	1		

Pos.	Code	Description	Quantity	Note	Notice:
21	GO2016000	Raising ring	1		
22	S6501013-A	Main friction bearing	2		
23	SE1004008	Pin	2		
24	S6501011	Thrust collar	2		
25	S860A070	Oil return valve	1		
26	S6301063	Key 8x5x90 UNI 7510	1		
27	GR101016	Stop dowel	1		
28	S430A076	Pressure regulatng valve	1		
29	S6301156	Safety relief valve	1		
30	ML_V	Nameplate	1		
31	RI1025035	Rivet	2		
32	RS12A	Stator 230-400 / 3 / 50 DOL	1		
32	RS12B	Stator 400 / 3 / 50 SDS	1		
32	RS12CAMS	Stator 400 / 3 / 50 PWS	1		
32	RS12SAMS	Stator 230-400 / 3 / 60 DOL	1		
33	S4951002AA	Shaft	1		
34	GR100810	Stop dowel	1		
35	S6501003AA	Connecting rod	4		
36	S6301005	Piston pin	4		
37	S6301004-A	Piston	4		

Pos.	Code	Description	Quantity	Note	Notice:
38	S6301149	Circlip	8		
39	S4496001	Oil scraper ring	4		
40	S4495001	Compression ring	4		
41	S4751014AA	Bottom plate	1		
42	TE1010030	Screw M10x30 UNI5739	20		
43	S4751015	Gasket for bottom plate	1		
44	S4501018AA	Thrusting plate	1		
45	TE1010030	Screw M10x30 UNI5739	2		
46	S6501078	Shaft thrust bearing	1		
47	ANLMKAS62	Spring	1		
48	S6501120	Thrust collar	1		
49	S3175OR	OR3175	1		
50	RR14	Rotor	1		
51	S4151063	Key 12x8x45 UNI 6604-69	1		
52	S4001061	Spacer for rotor	2		
53	S4501045	Washer	1		
54	TE1012035	Screw M12x35 UNI5739	1		
55	S6301031C	Gasket valve plate - body	2		
56	S6301006LL	Valve plate	2		
57	S6501007HH	Head	2		

Pos.	Code	Description	Quantity	Note	Notice:
58	TE1210090	Screw M10x90 UNI5737	26		
59	S8701032	Gasket valve plate - head	2		
60	S8601040	Terminal plate	1		
61	DE2206006	Nut M6X1X6 DIN 980	6		
62	RO1106012	Washer 6.4x12x1.6 UNI 6592	6		
63	RO1106012	Washer 6.4x12x1.6 UNI 6592	2		
64	TS4006008	Screw M6x8 ISO 7045	1		
65	SK261310	Staple bars connection kit - V/Z/W NEW	1		
69	TC2710025	Screw M10x25 UNI5931	8		
70	S4501043C	Connections plate gasket	1		
71	S4951009AA	Flange	1		
72	S6501012-A	Friction bearing flange side	1		
74	S6301069	Oil pump eccentric	1		
75	S6501049	Oil pump stud	1		
76	S4951125	Oil pump gear	1		
77	S4951134	Oil pump spring	2		
78	S3300OR	O-ring for oil pump cover	1		
79	S6301067AA	Oil pump cover	1		
80	TE1006020	Screw M6x20 UNI5739	8		
81	S4951044	Oil pump safety valve	1		

Pos.	Code	Description	Quantity	Note	Notice:
82	TC2410030	Screw M10x30 UNI5931	10		
83	S6501033C	Flange gasket	1		
84	RA2001030	Connection a T 1/8 NPT-1/4 Sae-1/4 Shrader	1		
85	S1251130	Plug 1/8 NPT	1		
86	EC1630DRIC	DIFF. PR. SWITCH KIT INT250	1		use EC1620RIC with DELTA P2
87	S4551010AA	Suction flange	1		
88	S6501034C	Suction flange - body gasket	1		
89	TE1212080	Screw M12x80 UNI5737	8		
90	TE1212110	Screw M12x110 UNI5737	2		
91	S4551153	Screw M12 L=75	2		
92	DE1112012	Nut M12x1,75x12 UNI 5587	2		
93	S6501130	Plug 1/4 NPT	2		
94	S6501038-A	Suction strainer	1		
95	AN2023000	Ring	1		
96	RO1006024	Washer M6x24 UNI 6593	1		
97	TE1006012	Screw M6x12 UNI5739	1		
98	S4501060-A	Discharge flange	1		
99	TC2410030	Screw M10x30 UNI5931	2		
100	S4501058D	Valve gasket	1		
101	EC50D	Temperatur sensor diagnose	1		

Pos.	Code	Description	Quantity	Note	Notice:
102	S4501055B	Valve gasket	1		
103	VGS070063	Valve	1		
104	RO1012024	Washer M12x24 UNI 6592	4		
105	TE1212085	Screw M12x85 UNI5737	4		
106	T00VRS061066	Valve 1' 1/8	1		
107	S4951055C	Valve gasket	1		
108	TC2410025	Screw M10x25 UNI5931	2		
109	S8601039	Terminal box	1		
110	ECA11D	INT69 TML diagnose module kit	1		use ECA11D-UPG with INT 69 TM
111	RO2006011	Washer 6x10 UNI 1751A	4		
112	TS4006012	Screw M6x12 ISO 7045	4		
113	SK205040	Rubber vibration absorber kit	1		
	S630A004	Piston kit	1		
	SK100610	Valve kit	1		
	SK103700	Valve kit	1		
	SK132400	Connecting rod/piston kit	4		
	SK140400	Friction bearing kit	1		
	SK170100	Oil sight glass kit	2		
	SK1800	Gasket kit	1		
	SK182100	3 ph terminal box kit	1		

Pos.	Code	Description	Quantity	Note	Notice:
	SK190100	Oil strainer kit	1		
	SK210000	Oil pump kit	1		
	SK231511	Complete electric motor - 230-400 / 3 / 50 DOL	1		
	SK231512	Complete electric motor - 400 / 3 / 50 SDS	1		
	SK231513	Complete electric motor - 400 / 3 / 50 PWS	1		
	SK231516	Complete electric motor - 230-400 / 3 / 60 DOL	1		
	SK261040	Electric connections kit	1		
	SK261310	Staple bars connection kit - V/Z/W NEW	1		
	SK49500	Valve plate kit	2		
	SK890000	Kit thrust collar and spring V - Z	1		