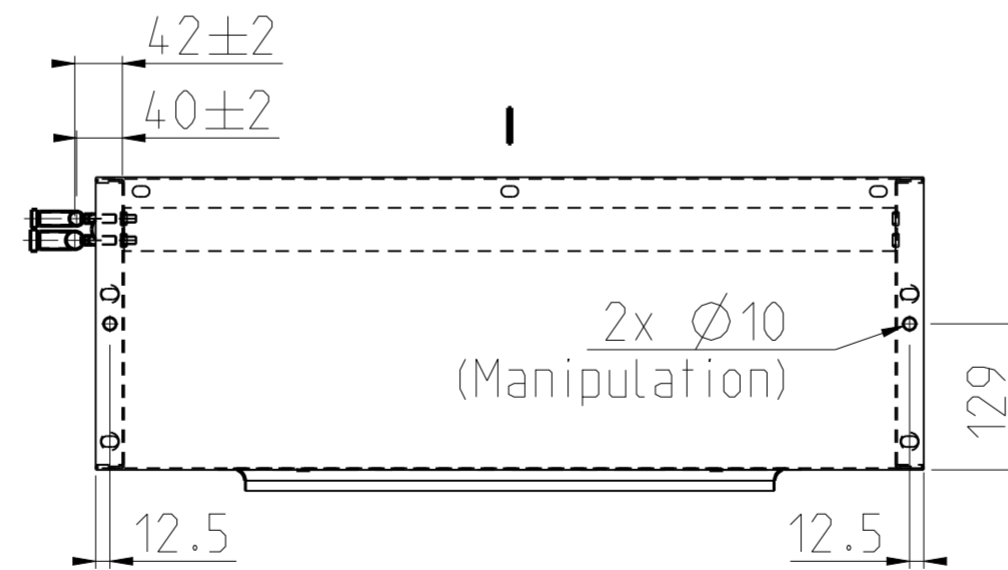
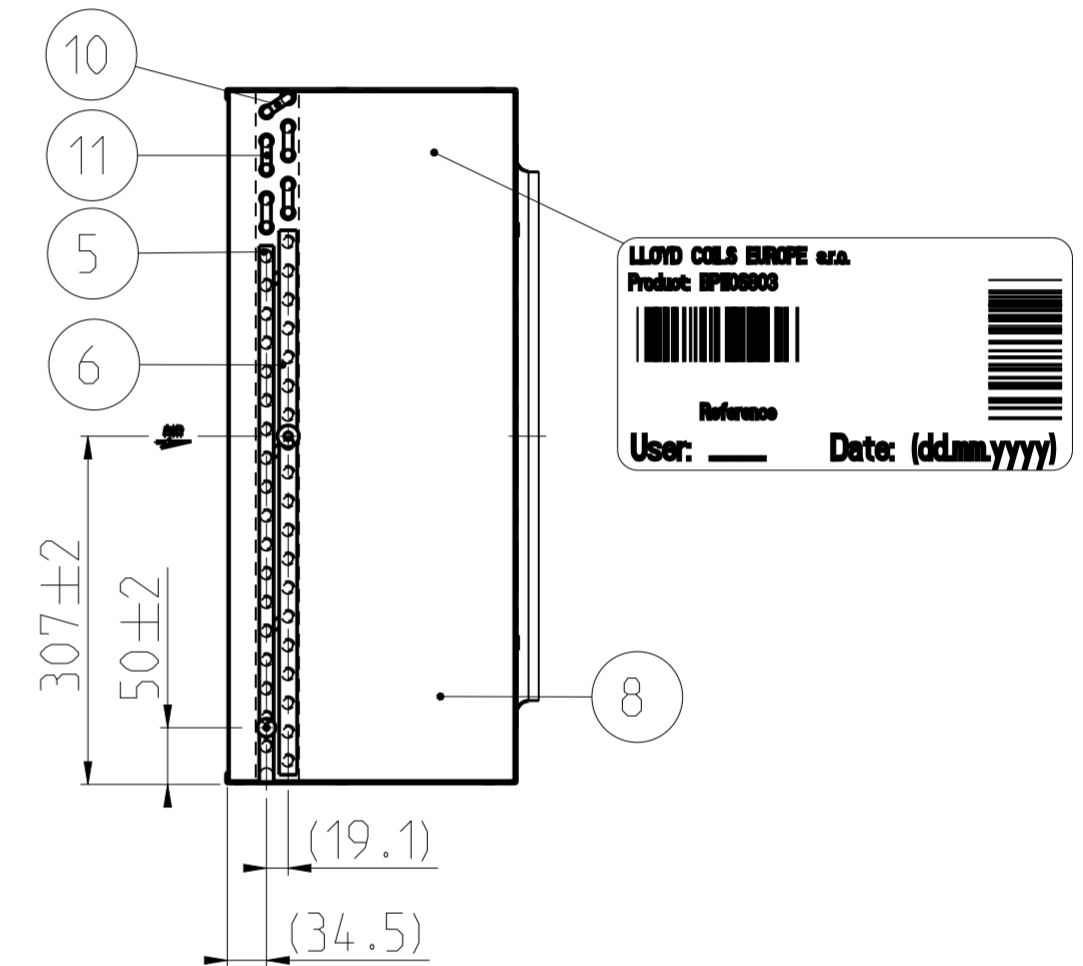
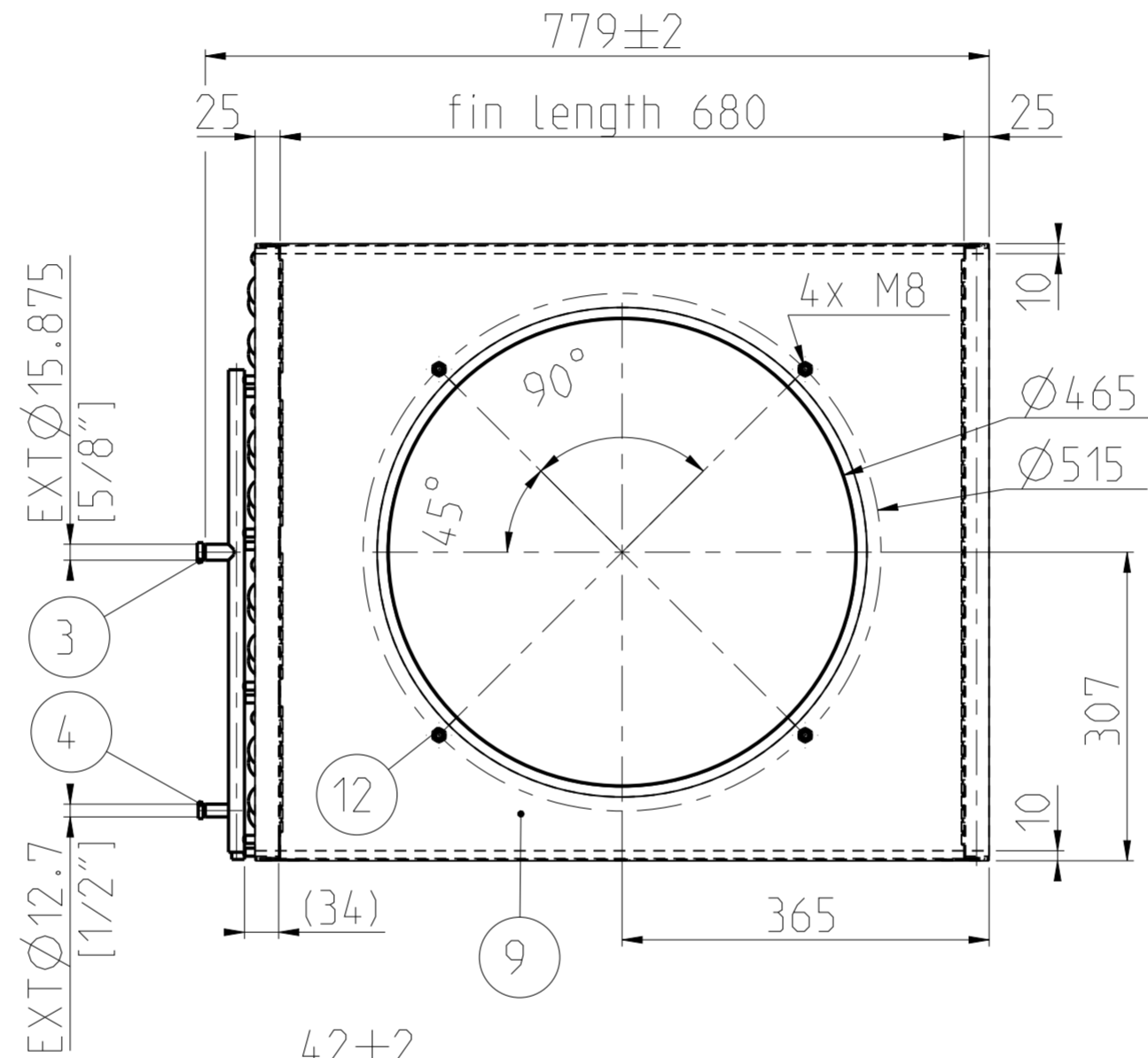
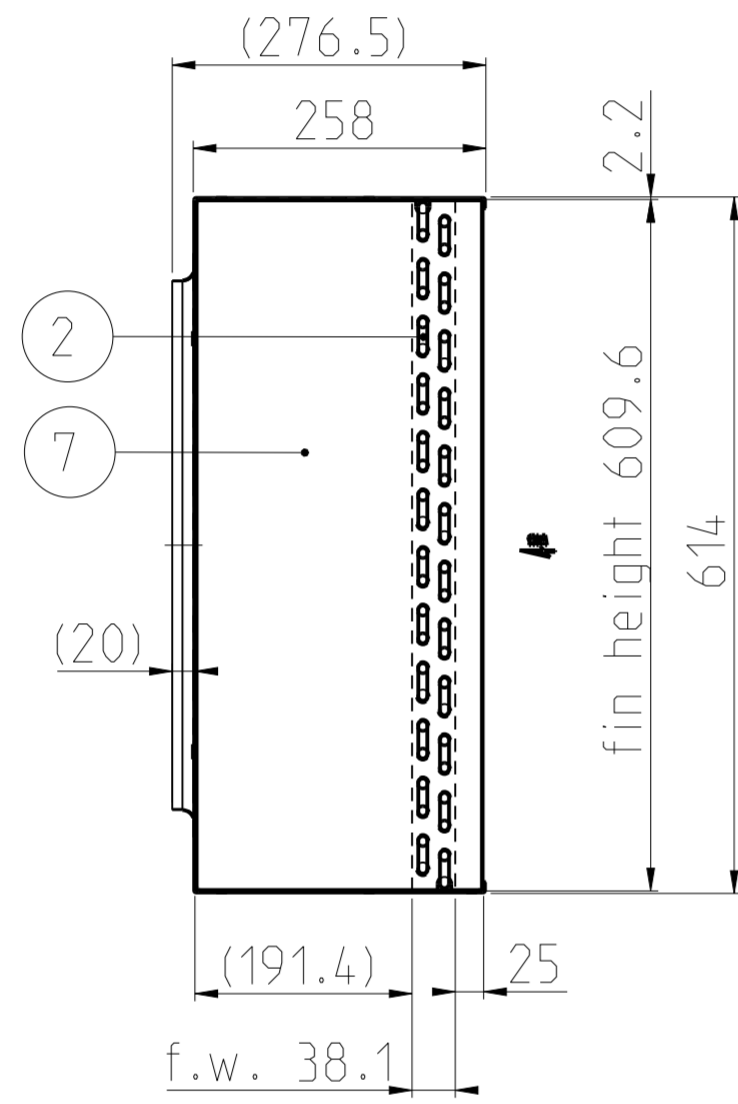
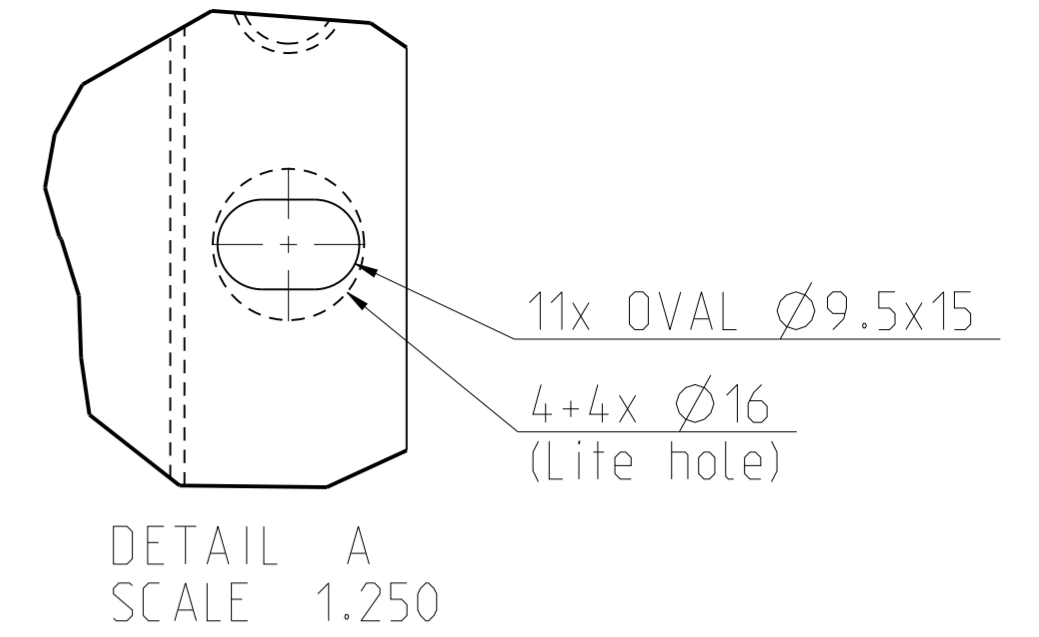
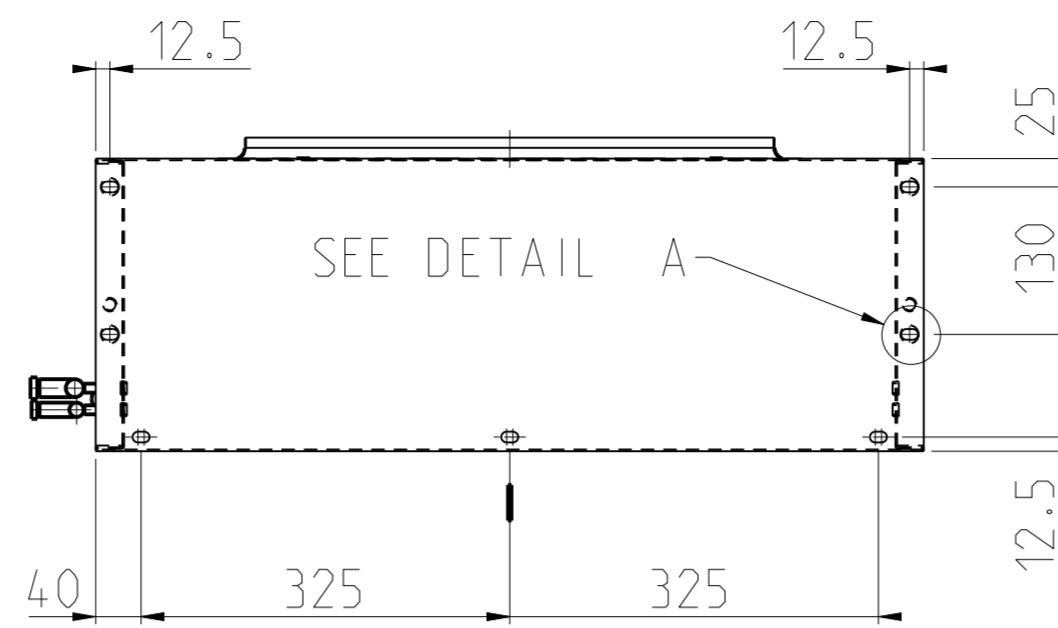
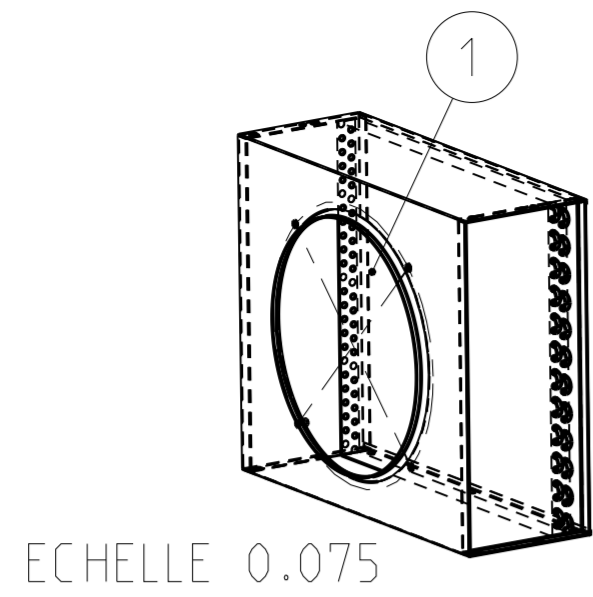


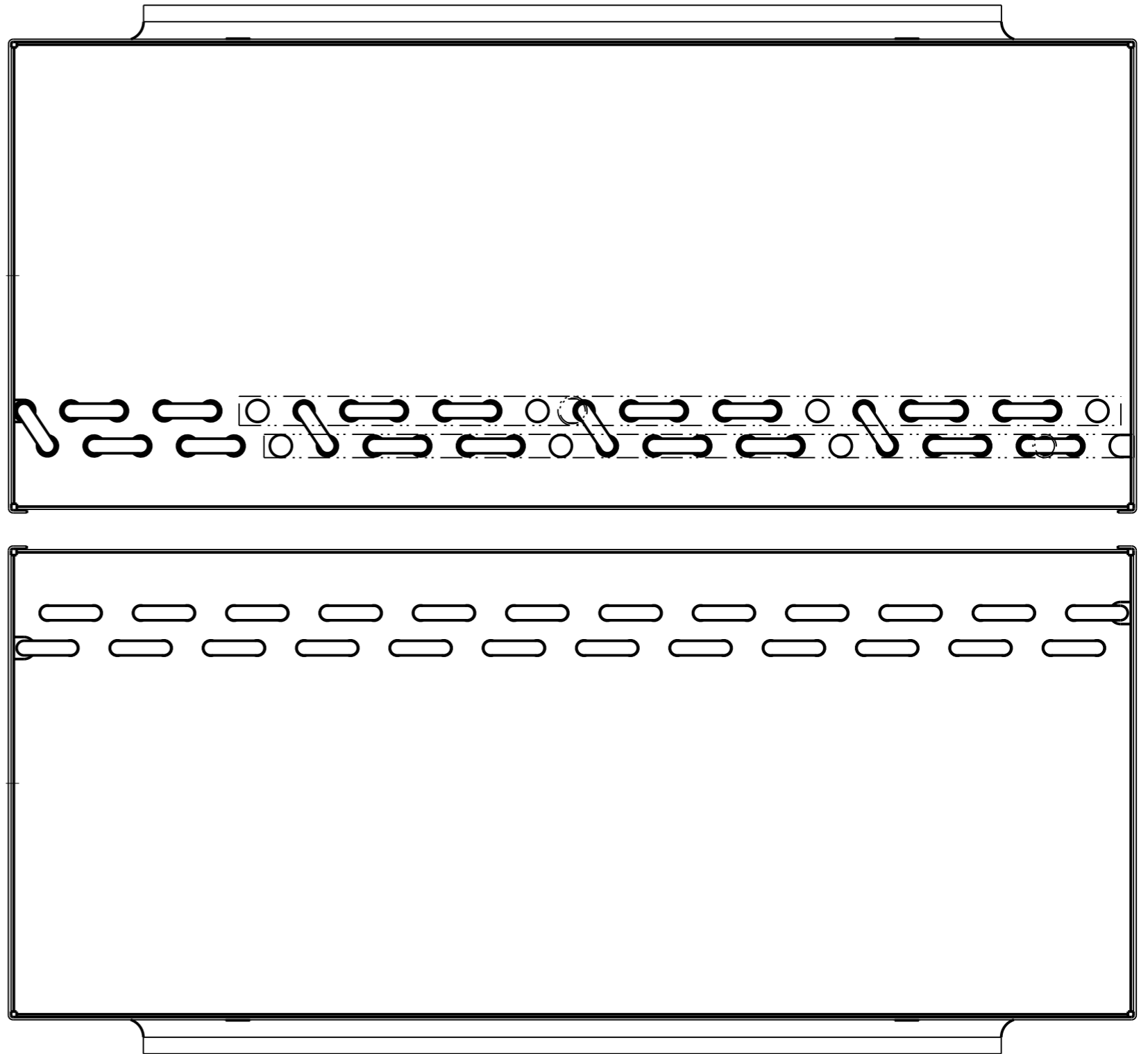
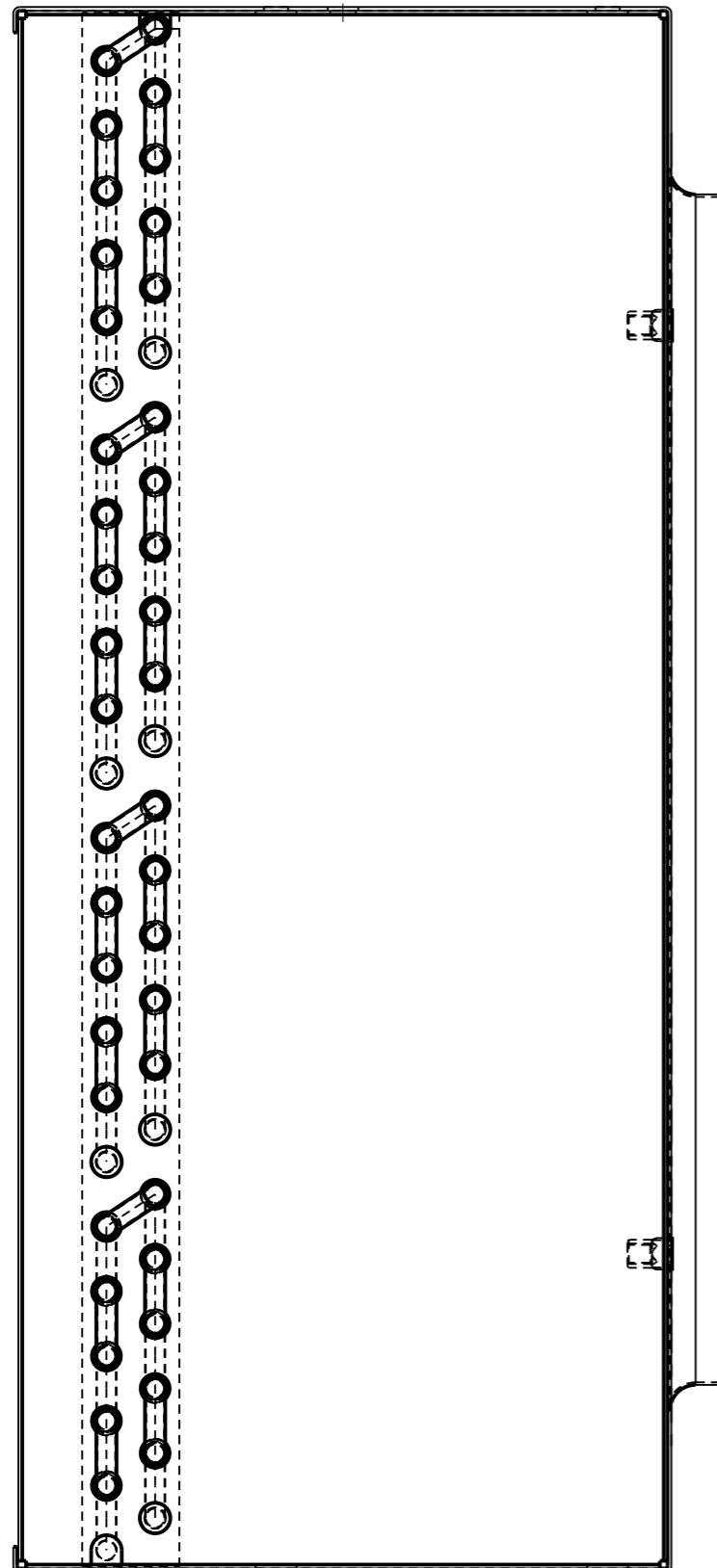
PS = 30 bar
FLUID: GROUP 2



Coil filled up with dry air 0.2 bar.
Vymeník plnen suchým vzduchem 0.2 bar.
Hmotnost/weight: 14.901

Date: 15.7.2014	Customer: TRADE GROUP C 2S9 CHDC-12-1-450	Protection: paint/barva RAL7035 Light-gray / svetle sedito
Drawn: TPA	Reference Number: C 2S9E022406802120041ARDG1AP-PC	Material:
Checked: VKA		
	Lloyd Coils Europe s.r.o. Vrzska 143, 153 00 Prague 16 Radotin Czech republic tel: +420 257 811 129	Part Number: BP110S803
		Revision: -
Scale: 0.2		Format: A2
Sheet/Sheets: 1/2		
This document is the property of Lloyd Coils Europe s.r.o. It can not be used, copy or submit without authorisation.		

idx	Qty	Description	Material	Part Num.
12	4	EURO HEXSERT M8 STEEL	STEEL	VS2280308
11	16	Return bend (kolínko) R : 25,4	Tube Cu Ø5/16"	C01A22403
10	4	Return bend (kolínko) R : 22,9	Tube Cu Ø5/16"	C01A22402
9	1	Fan plate	Steel galva. 15/10	HBBPF3280
8	1	End plates with collet	Steel galva. 15/10	PGBPG0394
7	1	End plates with collet	Steel galva. 15/10	PGBPG0393
6	1	Inlet header	Copper Ø 5/8"	COBPA8087
5	1	Outlet header	Copper Ø 1/2"	COBPA8088
4	1	Plug	CAOUTCHOUC	BE1534000
3	1	Plug	CAOUTCHOUC	BE1364006
2	24	EPINGLE D : 25,4	Tube Cu Ø5/16" grooved/drazkovaná	
1	318	Fin left 2S9 2N 24T 2.12 mm	ALU	



Date: 15.7.2014	Customer: TRADE GROUP	Protection: paint/barva RAL7035 light-gray / svetle sedito		
Drawn: TPA	Reference Number: C 2S9 CHDC-12-1-450	Material:		
Checked: VKA	Description: C 2S9E022406802120041ARDG1AP-PC --			
	Lloyd Coils Europe s.r.o. Vrazska 143, 153 00 Prague 16 Radotin Czech republic tel: +420 257 811 129		Part Number: BP110S803	Revision: -
		Scale: 0.4	Format: A3	Sheet/Sheets: 2/2