



REFRIGERATION AND  
AIR CONDITIONING

# Instructions

## Repeater type AKA 222

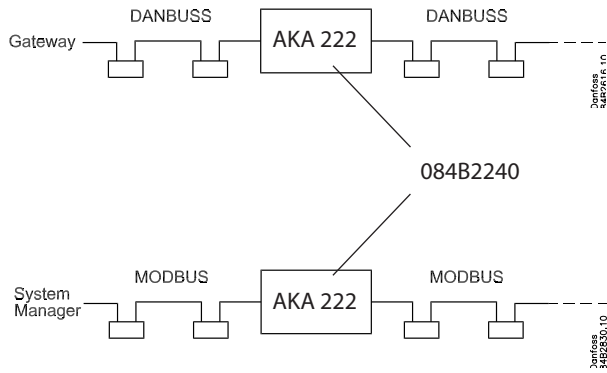


084R9978

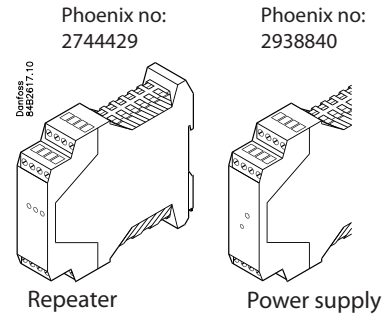


RI8KN502

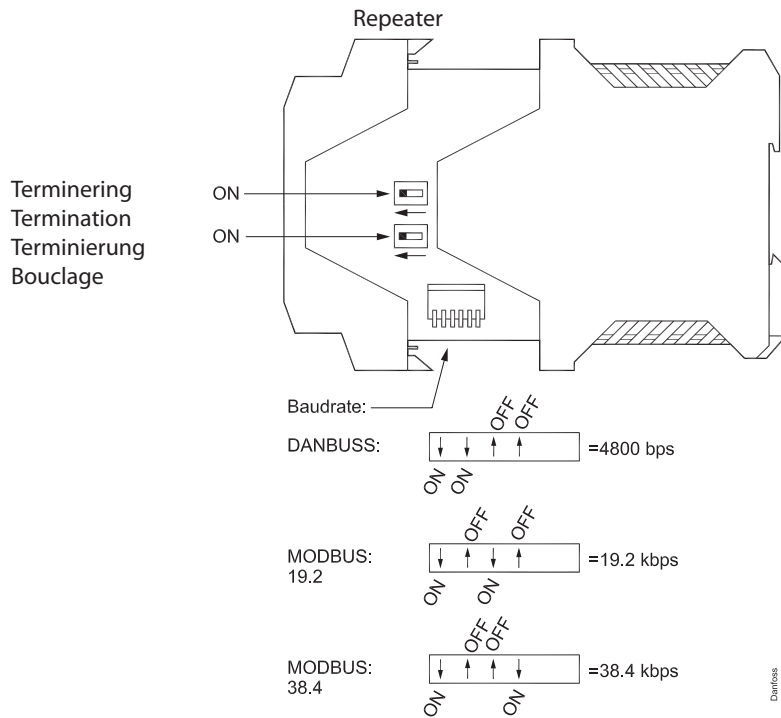
### Principle



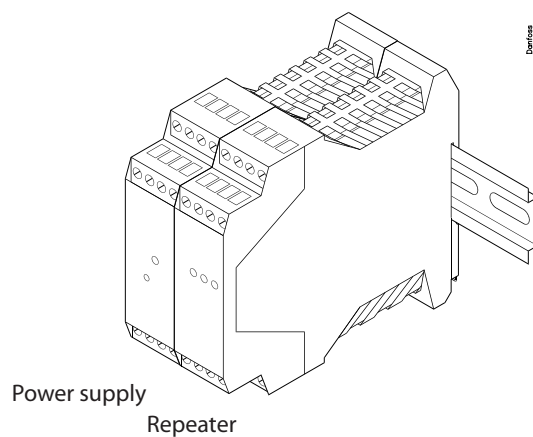
### Identification



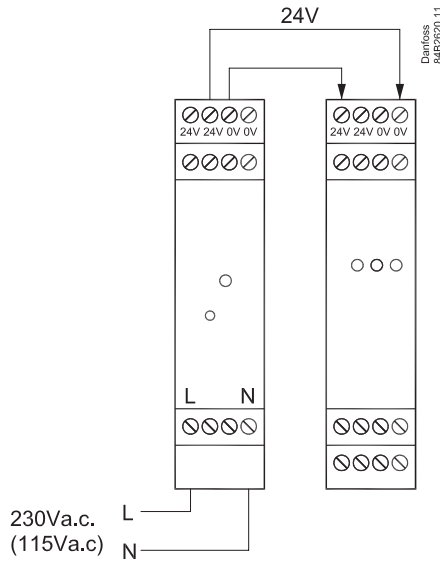
### Settings



### Mounting

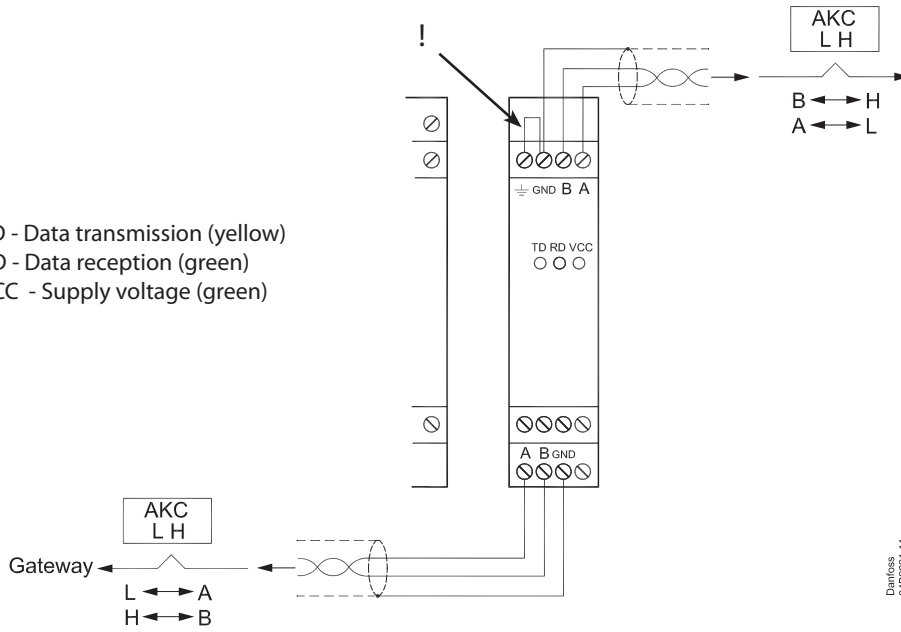


### Power Supply



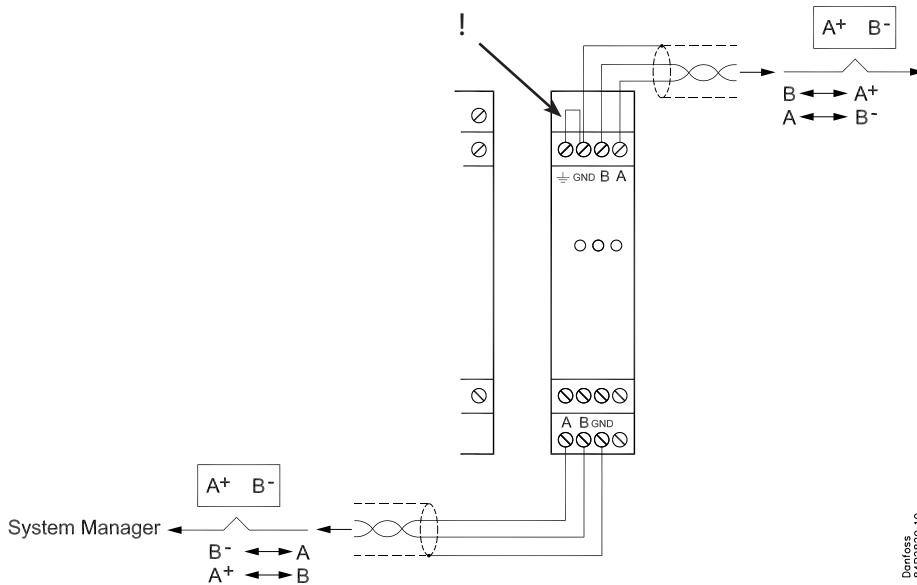
### DANBUSS

TD - Data transmission (yellow)  
RD - Data reception (green)  
VCC - Supply voltage (green)



**Important**  
Installation of data communication cables and repeaters must satisfy the requirements mentioned in the document:  
Data communication between ADAP-KOOL® Refrigeration controls. Literature number = RC8AC.

### MODBUS



The Product contains electrical components and may not be disposed together with domestic waste. Equipment must be separated collected with Electrical and Electronic waste. According to Local and currently valid legislation.



ADAP-KOOL®